



# Pump Parts



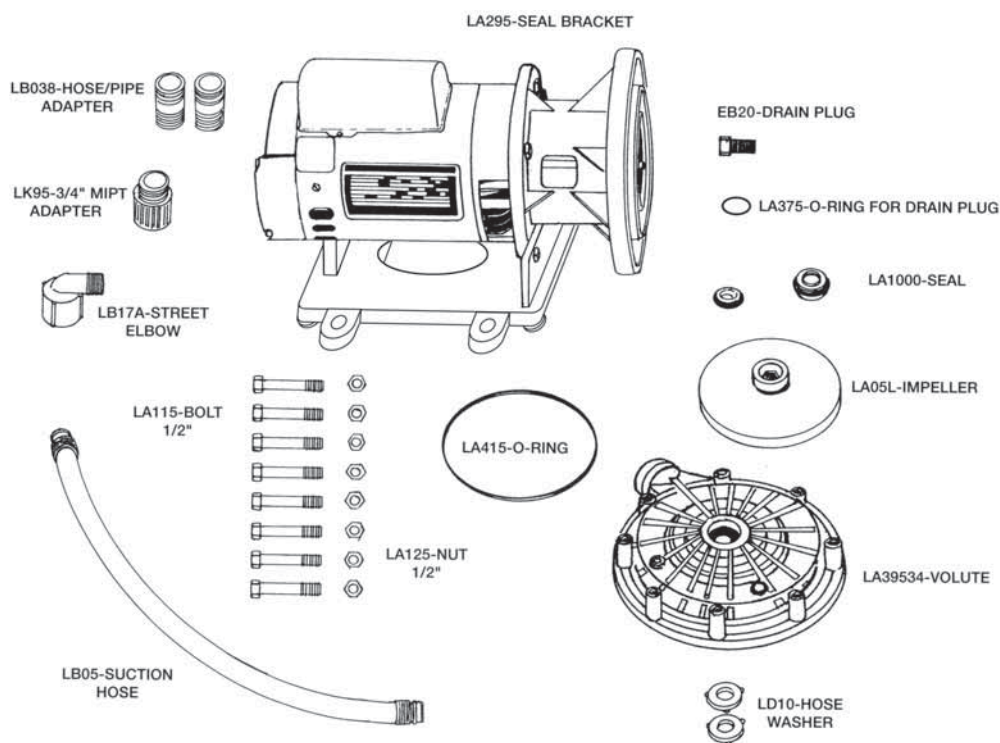
## Replacement Parts For Pumps





# Booster Pump - LA01N (New Style)

## Replacement Parts



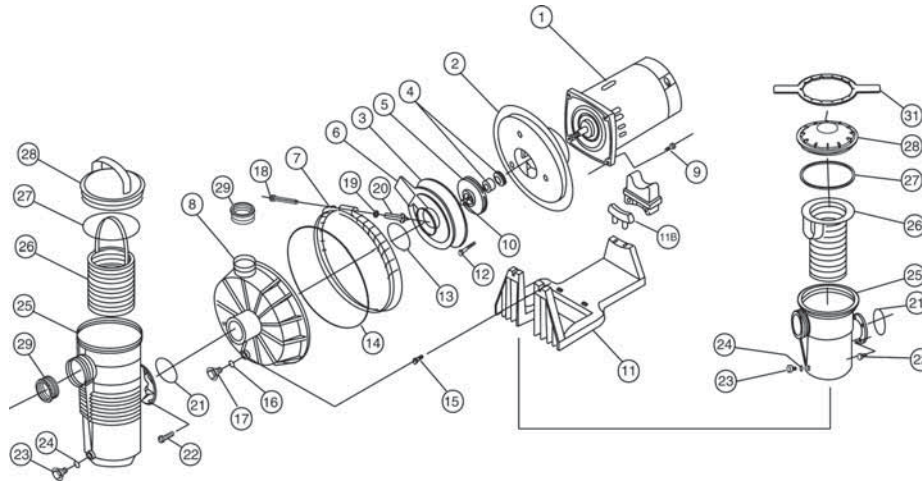
Product on page I65.

Item No.	Qty.	Description	US List	Can. List
<b>BOOSTER PUMP - (NEW STYLE)</b>				
LA115	2-PK	Bolt	8.66	11.60
LA125	2-PK	Nut	2.53	3.39
071734		Seal (PS1000)	10.54	14.13
LA05L		Impeller	21.79	29.20
LA39534		Volute	87.07	116.67
LA295		Seal Bracket	70.29	94.18
LA375		O-Ring for drain plug	0.56	0.75
EB20	2-PK	Drain Plug	5.06	6.79
LA415		O-Ring	1.91	2.56
LB03B		Hose to Pipe Adapter	3.50	4.70
LB05		Suction Hose	21.17	28.37
LB17A		Street Elbow	4.33	5.80
LK95		3/4 in. MIPT Adapter (for K96)	2.53	3.39
LD10	2-PK	Hose Washer	.82	1.10
LA41		Pump Stand 99 complete	16.90	22.65
<b>BOOSTER PUMP - (OLD STYLE)</b>				
LA02L		Impeller	20.46	27.42



# Challenger® High Flow Pump

## Replacement Parts for Swimming Pool Pumps



Item No.	Part No.	Description	US List	Can. List	Item No.	Part No.	Description	US List	Can. List
<b>CHALLENGER HIGH FLOW MOTORS</b>					<b>POWER END ASSEMBLIES</b>				
1	355371	1/2F, 3/4A std. sq. fig., 115/230, 25 lbs.	278.31	372.93	1	355636	CF-N1-1/2F, 3/4A std., 115/230	505.97	678.00
1	355339	3/4F, 1A std. sq. fig., 115/230, 25 lbs.	320.65	429.67	1	355637	CF-N1-3/4F, 1A std., 115/230	548.17	734.54
1	355340	1F, 1 1/2A std. sq. fig., 115/230, 28 lbs.	360.72	483.37	1	355638	CF-N1-1F, 1 1/2A std., 115/230	587.39	787.10
1	355342	1 1/2F, 2A std. sq. fig., 230 only, 32 lbs.	456.09	611.17	1	355520	CF-N1-1 1/2F, 2A std., 230 only	691.97	927.25
1	355702	2F, 2 1/2A std. sq. fig., 230 only, 32 lbs.	545.49	730.95	1	355984	CF-N1-3/4FE, 1AE 115/208/230	564.04	755.81
1	355703	3F std. sq. fig. 230 only	725.45	972.11	1	355985	CF-N1-1FE, 1 1/2AE 115/208/230	651.55	873.07
1	355391	3/4FE, 1AE sq. fig. 115/208/230, 32 lbs.	345.18	462.54	1	355639	CF-N1-1 1/2FE, 2AE 208/230	694.98	931.27
1	355392	1FE, 1 1/2AE sq. fig. 115/208/230, 34 lbs.	378.04	506.57	1	355986	CF-N1-2FE, 2 1/2AE 208/230	880.98	1,180.51
1	355393	1 1/2FE, 2AE sq. fig. 208/230, 30 lbs.	468.58	627.90	1	355640	CF-N2-3/4F, 1A 2 sp. std., 115 only	705.70	945.63
1	355394	2FE, 2 1/2AE sq. fig. 208/230, 36 lbs.	565.69	758.02	1	355641	CF-N2-1F, 1 1/2A 2 sp. std., 230 only	725.39	972.03
1	355395	3FE, 1 ph sq. fig. 208/230, 40 lbs.	755.13	1,011.88	1	355642	CF-N2-1 1/2F, 2A 2 sp. std., 230 only	841.79	1,127.99
1	355398	3FE, 3 ph sq. fig. 208/230/460, 22 lbs., blk.	744.06	997.04	1	355987	CF-N2-2F, 2 1/2A 2 sp. std., 230 only	1,001.14	1,341.53
1	355375	3/4F, 1A std. sq. fig. 2 sp. 115 only, 28 lbs.	478.15	640.72	1	345211	CFII-N1-5FE, power end	1,045.67	1,422.11
1	355232	3/4F, 1A std. sq. fig. 2 sp. 230 only, 28 lbs.	438.78	587.97	1	345301	CFII-N1-5F, 3 ph, power end	1,031.69	1,403.10
1	355376	1F, 1 1/2A std. sq. fig. 2 sp. 230 only, 33 lbs., blk.	498.76	668.34	2	355303	Plate - seal	51.26	68.69
1	355377	1 1/2F, 2A std. sq. fig. 2 sp. 230 only, 36 lbs.	615.39	824.62	2	355497	Plate - seal, 5F	51.26	68.69
1	355378	2F, 2 1/2A std. sq. fig. 2 sp. 230 only, 39 lbs.	774.30	1,037.56	3	355028	Plate - mounting 1/2F, 3/4F, 1A	11.95	16.02
1	355704	5FE, 3 ph, 5 hp, 230/460 sq. fig. only	925.41	1,240.05	3	355078	Plate - mounting 1F, 1 1/2F, 1 1/2A, 2A	7.54	10.10
1	355705	5FE, 1 ph, 5 hp	1,003.08	1,344.13	3	355095	Plate - mounting 2F, 2 1/2A	12.99	17.40
1	355201	3/4 hp, 3 ph sq. fig. CHII-NI	371.06	497.22	3	355495	Plate - mounting 5F	6.95	9.31
1	355203	1 hp, 3 ph sq. fig. CHII-NI	427.89	573.37	4	354545	Seal - 5/8 in. mechanical	11.51	15.43
1	355204	1 1/2 hp, 3 ph sq. fig. CHII-NI	543.01	727.64	5	355043	Impeller - 1/2F, 3/4A	27.44	36.77
1	355205	2 hp, 3 ph sq. fig. CHII-NI	604.49	810.02	5	355067	Impeller - 3/4F, 1A	28.00	37.52

Note 1. Challenger booster pumps consist of 1-20.

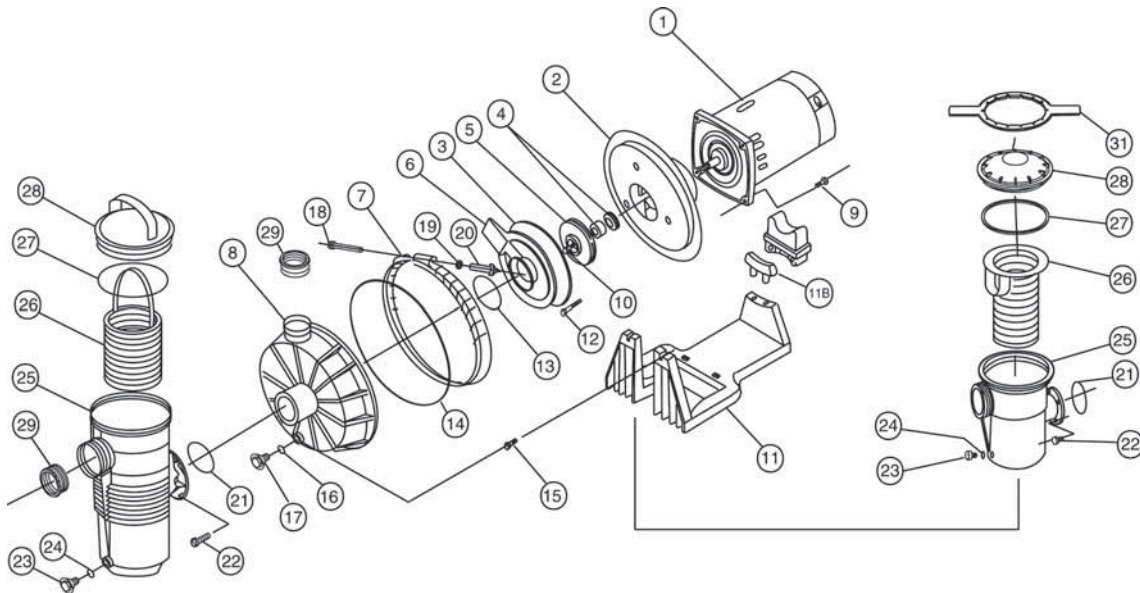
Note 2. Challenger pumps consist of all items except #15.

Note 3. When ordering replacement motor, give all information on motor name plate.

Continued on next page.  
Product on pages 166 - 167.  
Replacement baskets on page 206.

# Challenger® High Flow Pump

## Replacement Parts, (Cont'd.)



Item No.	Part No.	Description	US List	Can. List
<b>CHALLENGER HIGH FLOW</b>				
5	355074	Impeller - 1F, 1½A	28.33	37.96
5	355086	Impeller - 1½F, 2A	28.50	38.19
5	355093	Impeller - 2F, 2½A	29.03	38.90
5	355068	Impeller - 3F 50 Hz / 5F 60 Hz	28.00	37.52
6	355029	Diffuser - ½F, ¾F, ¾A, 1A	20.38	27.30
6	355077	Diffuser - 1F, 1½F, 1½A, 2A	20.38	27.30
6	355094	Diffuser - 2F, 2½A	21.85	29.28
6	355069	Diffuser - 3F, 50 Hz / 5F 60 Hz	18.87	25.29
7	355320	Band clamp assy., complete	44.70	59.89
8	355468	Housing - front, blk.	74.79	100.22
8	355469	Housing - front, almond	74.79	100.22
9	354290	Screw - 3/8 in. - 16 hex hd., 4 req.	1.33	1.78
10	355389	Screw - impeller locking	0.77	1.03
11	355305	Base - pump <sup>1</sup>	24.94	33.42
11B	355385	Adapter - 5 - 5/8 in. dia. motor <sup>2</sup>	6.36	8.52
12	355334	Screw - #8 - 32 hex wsh. hd., 3 req.	0.77	1.03
13	355030	O-ring - diffuser	4.71	6.31
14	355329	O-ring - front housing	8.48	11.36
15	355335	Screw - 5/16 - 18 x ½ in. s/s hex hd., 2 req.	0.77	1.03
16	192115	O-ring - drain plug	4.17	5.58
17	154699	Plug - ¼ in. drain	3.47	4.66
18	152060	Bolt - 5/16 - 18 x 4 in. carriage <sup>3</sup>	5.39	7.22

Item No.	Part No.	Description	US List	Can. List
19	072173	Wsh. - 5/16 in. s/s flat	0.88	1.18
20	174882	Knob (fits clamp w/removable bolt only)	17.76	23.79
20	175025	Knob (fits clamp w/captured T-bolt only)	17.76	23.79
21	355330	O-ring - strainer pot flange	0.88	1.18
22	354265	Screw - 5/16 - 18 hex wsh. hd., 4 req.	1.09	1.46
23	154699	Plug - ¼ in. drain	3.47	4.66
24	192115	O-ring - drain plug	4.17	5.58
25	355300	Strainer - pot	73.76	98.84
25	355900	Strainer - pot, 5F 3 in. suction for all large strainer pot models	264.12	353.92
26	355318	Basket - plastic strainer	17.52	23.48
26	355901	Basket - s/s strainer, 5F	206.64	276.90
27	350013	O-ring - lid	1.56	2.09
27	152509	Square ring 8½ in.	3.68	4.93
28	355301	Lid - strainer pot	32.48	43.52
28	355902	Lid - strainer pot, 5F, clear	37.66	50.46
28	354914	Lid - strainer pot, 5F, black	31.68	42.45
28	354112	Lid - strainer pot, chemical resistant	32.48	43.52
29	552377	Bushing - reducer ½F, ¾F, ¾A, 1A, 2 req.	7.18	9.63
31	154527	Wrench 8½ in.	14.78	19.81
	355309	Union kit	55.27	74.06

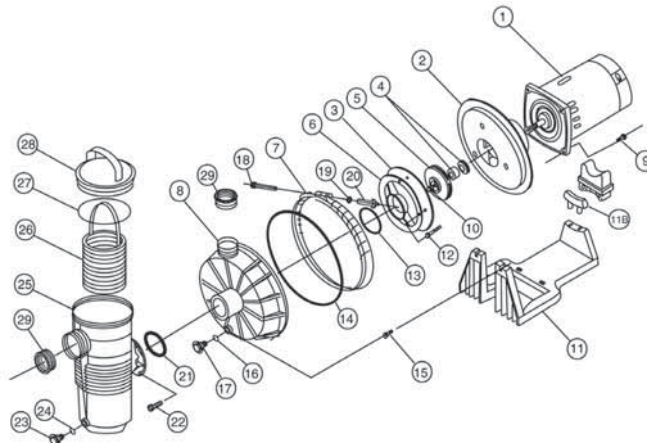
<sup>1</sup> Pump base (item 11) include's dual radius motor support adapter (item 11B) which fits both 5-5/8 in. & 6½ in. dia. motors.  
<sup>2</sup> Item 11A - motor support is a replacement part that fits only older style pump bases with rectangular opening.  
<sup>3</sup> Item 18, carriage bolt is a replacement part for old style clamp band assy. (item 7).

Product on pages 166 - 167.  
 Replacement baskets on page 206.



# Challenger® High Pressure Pump

## Replacement Parts for Swimming Pool Pumps



Item No.	Part No.	Description	US List	Can. List	Item No.	Part No.	Description	US List	Can. List
<b>CHALLENGER HIGH PRESSURE MOTORS</b>									
1	355371	1/2F, 3/4A std. sq. fig. - 115/230, 25 lbs.	278.31	372.93	1	355669	CH-N1-1 1/2F, 2A std. power end 230 only	688.26	922.27
1	355339	3/4F, 1A std. sq. fig. - 115/230, 25 lbs.	320.65	429.67	1	355673	CH-N1-3/4FE, 1AE power end 115/208/230 <sup>1</sup>	592.25	793.61
1	355340	1F, 1 1/2A std. sq. fig. - 115/230, 28 lbs.	360.72	483.37	1	355674	CH-N1-1FE, 1 1/2AE power end 115/208/230 <sup>1</sup>	651.55	873.07
1	355342	1 1/2F, 2A std. sq. fig. - 230 only, 32 lbs.	456.09	611.17	1	355675	CH-N1-1 1/2FE, 2AE power end 208/230 <sup>1</sup>	698.69	936.24
1	355702	2F, 2 1/2A std. sq. fig. - 230 only, 32 lbs.	545.49	730.95	1	355676	CH-N1-2FE, 2 1/2AE power end 208/230 <sup>1</sup>	880.98	1,180.51
1	355703	3F std. sq. fig. - 230 only	725.45	972.11	1	355677	CH-N1-3FE, 1 ph power end 208/230 <sup>1</sup>	1,162.29	1,557.47
1	355391	3/4FE, 1AE sq. fig. - 115/208/230, 32 lbs.	345.18	462.54	1	355678	CH11-N1-3FE, 3 ph power end 208/230/460 <sup>1</sup>	1,121.60	1,502.94
1	355392	1FE, 1 1/2AE sq. fig. - 115/208/230, 34 lbs.	378.04	506.57	1	355679	CH-N2-3/4F, 1A 2 sp. std. power end 115 only	702.28	941.05
1	355393	1 1/2FE, 2AE sq. fig. - 208/230, 30 lbs.	468.58	627.90	1	355680	CH-N2-1F, 1 1/2A 2 sp. std. power end 230 only	722.39	968.00
1	355394	2FE, 2 1/2AE sq. fig. - 208/230, 36 lbs.	565.69	758.02	1	355681	CH-N2-1 1/2F, 2A 2 sp. std. power end 230 only	845.50	1,132.97
1	355395	3FE, 1 ph sq. fig. - 208/230, 40 lbs.	755.13	1,011.88	1	355682	CH-N2-2F, 2 1/2A 2 sp. std. power end 230 only	1,004.94	1,346.62
1	355398	3FE, 3 ph sq. fig. - 208/230/460, 35 lbs.	744.06	997.04	2	355303	Plate - seal	51.26	68.69
1	355375	3/4F, 1A std. sq. fig. - 2 sp. 115 only, 28 lbs.	478.15	640.72	3	355384	Plate - mounting 1/2F, 3/4A	15.31	20.52
1	355376	1F, 1 1/2A std. sq. fig. - 2 sp. 230 only, 33 lbs.	498.76	668.34	3	355317	Plate - mount 3/4F thru 3F, 1A thru 2 1/2A	7.54	10.10
1	355377	1 1/2F, 2A std. sq. fig. - 2 sp. 230 only, 36 lbs.	615.39	824.62	4	354545	Seal - 5/8 in. mechanical PS 200	11.51	15.43
1	355378	2F, 2 1/2A std. sq. fig. - 2 sp. 230 only, 39 lbs.	774.30	1,037.56	5	355147	Imp. - 1/2F, 3/4A	27.44	36.77
1	355313	3/4 hp, 50 Hz, 1 ph, sq. fig.	6.12	8.21	5	355187	Imp. - 3/4F, 1A	28.00	37.52
1	355315	1 1/2 hp, 50 Hz, 1 ph, sq. fig.	28.50	38.19	5	355369	Imp. - 1F, 1 1/2A	28.41	38.07
1	355545	Diffuser CH 3F, 2.5A, 2F	46.93	62.89	5	355315	Imp. - 1 1/2F, 2A	28.50	38.19
1	355317	3 hp, 50 Hz, 1 ph, sq. fig.	7.54	10.10					
<b>POWER END ASSEMBLIES</b>									
1	355670	CH-N1-1/2F, 3/4A std. power end 115/230	514.19	689.01					
1	355671	CH-N1-3/4F, 1A std. power end 115/230	544.72	729.93					
1	355672	CH-N1-1F, 1 1/2A std. power end 115/230	584.41	783.11					

<sup>1</sup> Used on 2F 2 1/2A pumps built after 10-1-92.

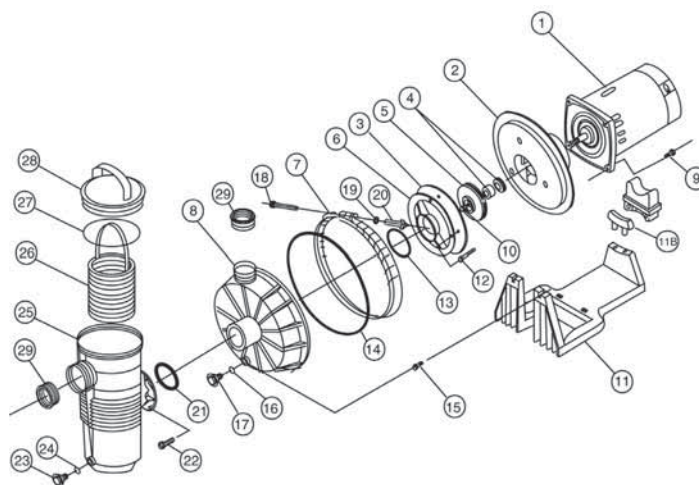
Continued on next page  
 Product on pages 168 - 169.  
 Replacement baskets on page 206.





# Challenger® High Pressure Pump

## Replacement Parts, (Cont'd.)



Item No.	Part No.	Description	US List	Can. List	Item No.	Part No.	Description	US List	Can. List
<b>CHALLENGER HIGH PRESSURE</b>									
5	355604	Imp. - 2F, 2½A <sup>1</sup>	28.86	38.67	16	192115	O-ring - drain plug	4.17	5.58
5	355544	Imp. - 3F	37.25	49.91	17	154699	Plug - ¼ in. drain	3.47	4.66
6	355148	Diffuser - ½F, ¾A	16.72	22.41	18	152060	Bolt - 5/16 in. - 18 x 4 in. carriage <sup>5</sup>	5.39	7.22
6	355188	Diffuser - ¾F, 1F, 1A, 1½A	16.31	21.86	19	072173	Wsh. - 5/16 in. s/s flat	0.88	1.18
6	355270	Diffuser - 1½F, 2A	16.87	22.61	20	174882	Knob (fits clamp w/removable bolt only)	17.76	23.79
6	355545	Diffuser - 3F, 2.5A, 2F <sup>2</sup>	46.93	62.89	20	175025	Knob (fits clamp w/captured t-bolt only)	17.76	23.79
7	355320	Band - clamp assy. complete	44.70	59.89	21	355330	O-ring - strainer pot flange	0.88	1.18
8	355468	Housing - front, blk.	74.79	100.22	22	354265	Screw 5/16 in. - 18 x ¼ in. s/s hex wsh. hd., 4 req.	1.09	1.46
8	355469	Housing - front, almond	74.79	100.22	23	154699	Plug - ¼ in. drain	3.47	4.66
9	354290	Screw - 3/8 in. - 16 s/s hex hd.	1.33	1.78	24	192115	O-ring - drain plug	4.17	5.58
10	355389	Screw - imp. locking	0.77	1.03	25	355300	Pot strainer	73.76	98.84
11	355305	Base - pump <sup>3</sup>	24.94	33.42	26	355318	Basket - plastic strainer (all except 3F)	17.52	23.48
11B	355385	Adapter - 5-5/8 in. dia. motor <sup>4</sup>	6.36	8.52	26	355441	Basket - s/s strainer (3F only)	95.31	127.72
12	355334	Screw 8-32 x 1 in. s/s hex wsh. hd., 3 req.	0.77	1.03	27	350013	O-ring - lid	1.56	2.09
13	355331	O-ring - diffuser	0.82	1.10	28	355301	Lid - strainer pot	32.48	43.52
14	355329	O-ring - front housing	8.48	11.36	28	354112	Lid - strainer pot chemical resistant	32.48	43.52
15	355335	Screw 5/16 in. - 18 x ½ in. s/s hex wsh. hd., 2 req.	0.77	1.03	29	552377	Bushing - reducer ½F, ¾F, ¾A, 1A	7.18	9.63
<b>NOT SHOWN</b>									
					355302	Housing booster pump		98.73	132.29

<sup>1</sup> Used on 2F, 2½A pumps built after 10-1-92.

<sup>2</sup> Used on 2F, 2½A pumps built prior to 10-1-92. Must replace w/both diffuser 355545 & impeller 355604.

<sup>3</sup> Pump base, (item 11) includes dual radius motor support adapter (item 11B), which fits both 5-5/8 in. & 6½ in. dia. motors.

<sup>4</sup> Item 11A motor support is a replacement part that fits only older style pump bases with rectangular opening.

<sup>5</sup> Carriage bolt (item 18) fits prev. style clamp band assy. (item 7).

*Note 1. Challenger booster pumps consist of items 1-20.*

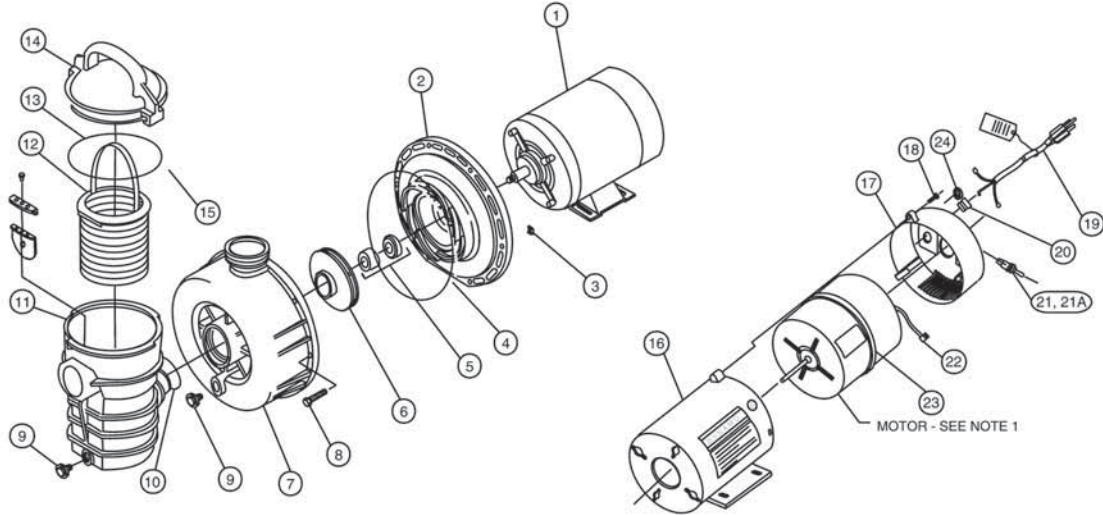
*Note 2. Challenger pool pumps consist of an items except item 15.*

Product on pages 168 - 169.  
Replacement baskets on page 206.



# Dynamo® Pump

## Replacement Parts for Swimming Pool Pumps



Item No.	Part No.	Description	US List	Can. List
<b>DYNAMO PUMPS</b>				
<b>MOTORS</b>				
1	356495	1 hp, 1½ spl, 48 frame Thru-Bolt 115 only	219.71	294.42
1	356469	1½ hp, 2 spl, 48 frame Thru-Bolt 115/230 <sup>1</sup>	333.16	446.44
1	356551	1 hp, 1½ spl, 2 sp., 48 frame Thru-Bolt 115 only, 23 LBS.	310.85	416.53
1	356497	¾ hp, 1 spl, 48 frame Thru-Bolt 115 only	195.75	262.30
1	356436	¾ hp, 48 frame Thru-Bolt 115 only <sup>2</sup> CSA Poolside Pump <sup>2</sup>	183.00	245.22
1	356437	1 hp, 48 frame Thru-Bolt	203.47	295.03
1	356597	¾ hp, 1 spl, 48 frame Thru-Bolt 115, w/on-off switch	217.62	291.62
1	356595	1hp, 1½ spl, 48 frame	228.40	331.19
1	356440	1½ hp, 48 frame Thru-Bolt 115/230, 23 LBS. <sup>2</sup>	314.64	421.62
2	354632	Diffuser - ¾ hp bracket	53.97	72.32
2	354633	Diffuser - 1, 1½ hp bracket	53.97	72.32
3	354542	Nut - 10-24 s/s, 6 req.	0.77	1.03
4	354634	O-ring - 3/16 in. bracket diffuser	4.06	5.44
5	354545	Seal - 5/8 in. mechanical	11.51	15.43
6	353002	Impeller - ½ hp	18.29	24.50
6	354552	Impeller - ¾ hp	14.87	19.93
6	355122	Impeller - 1 hp	14.87	19.93
7	354630	Housing - body	59.89	80.25
8	354541	Screw 10-24-1½ in. slotted hex, 6 req.	1.09	1.46
9	154481	Plug -¼ in. drain, 2 req.	0.82	1.10
10	273062	O-ring	0.80	1.07
11	354530	Pot	53.03	71.06
12	354548	Basket w/handle	9.69	12.98
13	354533	O-ring - lid	4.53	6.08
14	354531	Lid - universal	28.77	38.55
15	354103	Pot assy.	114.42	153.32
16	354621	Body - motor enclosure	24.79	33.22
17	354881	Cap - motor enclosure	32.27	43.24
18	154716	Screw - #10 self tapping	0.35	0.47
19	155371	Cord - 25 ft.	39.06	53.12
20	41412700	Bushing connector	5.39	7.22
21	155187	Switch - on/off toggle (CSA)	11.04	14.80
21A	356546	Switch - three position toggle (Hi/Low/Off)	28.21	37.80
22	155193	Wire - 6 in. jumper	3.24	4.34
23	354658	Insulation - foam strip adhesive backing	1.09	1.46
24	350024	Locknut, steel 1½ in.	0.44	0.59
<b>NOT SHOWN</b>				
	352256	Nut - 1½ in. quick connect, 2 req.	5.04	6.75
	354571	O-ring, 2 req.	1.74	2.33
	155371	25 ft. cord and plug, CSA models	39.06	53.12
	79137800	3 ft. cord standard assy.	32.45	43.48
	352245	Strain relief bushing for cords	1.09	1.46
	155295	Photo sensor add-on, used on ¾ & 1 hp only	103.73	139.00
	350444	Motor switch assy., on/off	24.06	32.72

<sup>1</sup> Not available on Dynamo pump.

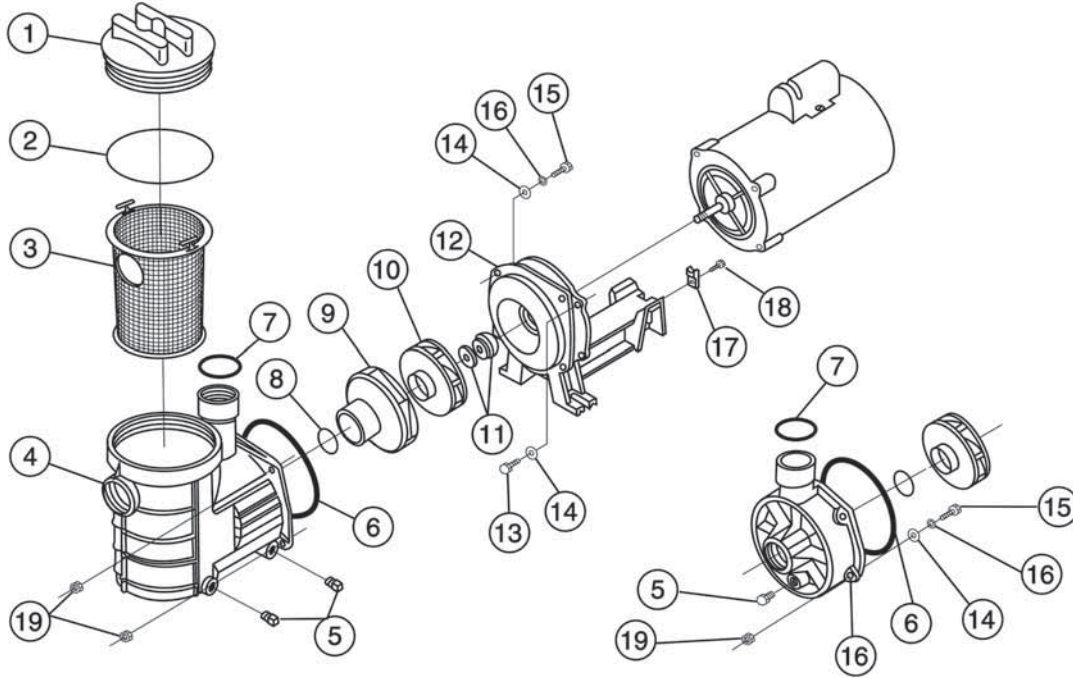
<sup>2</sup> Without rigid base.

Product on pages 170 - 172.



# Eagle™ Pump

## Replacement Parts for Swimming Pool Pumps

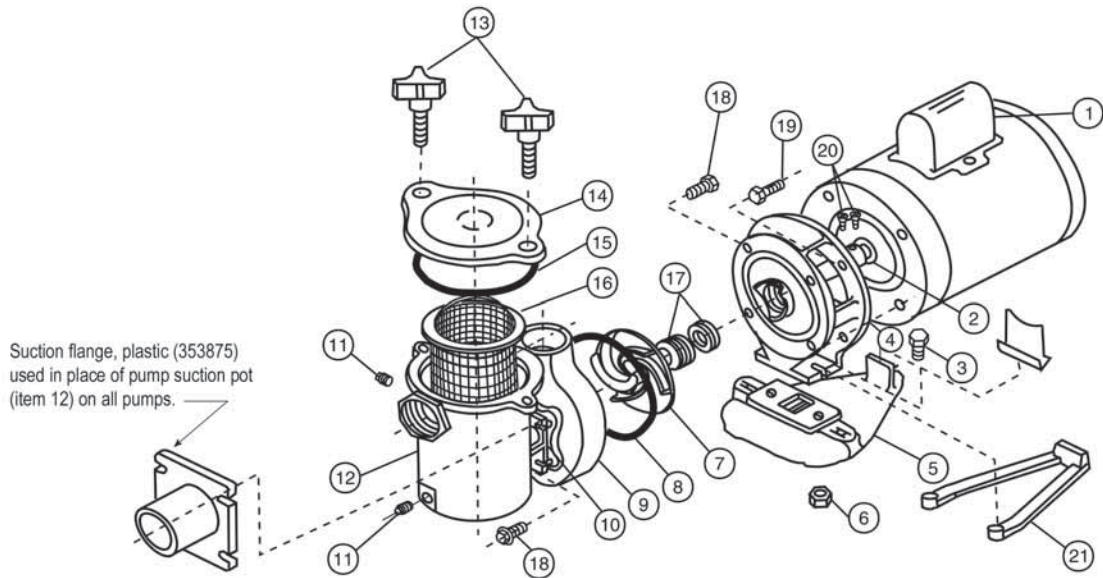


Item No.	Part No.	Description	US List	Can. List	Item No.	Part No.	Description	US List	Can. List
<b>EAGLE PUMPS</b>									
1	39200299	Lid, chemical resistant, clear	23.47	31.45	10	39251200	Imp., ½ hp, 50 cycle	38.72	51.88
1	39200200	Lid, clear	23.47	31.45	10	39251300	Imp., ¾ hp, 50 cycle	38.72	51.88
2	39204100	O-ring, lid	15.66	20.99	10	39251400	Imp., 1 hp, 50 cycle	38.72	51.88
3	39200100	Basket	20.46	27.42	10	39251500	Imp., 1½ hp, 50 cycle	38.72	51.88
4	39201700	Integral pot & volute 2 in. suction port	181.32	242.97	10	39251600	Imp., 2 hp, 50 cycle	38.72	51.88
4	39202100	Integral pot & volute 1½ in. suction port	173.34	232.27	11	071734	Seal 1000	13.16	17.64
5	98206400	Plug ¼ in. with O-ring	1.88	2.53	12	39201000	Seal plate	60.98	81.71
6	39200300	O-ring, volute	10.28	13.77	13	070429	Bolt, hex, 3/8 - 16 x ¾ in.	1.38	1.85
7	39204600	Reinforcing ring, s/s	4.15	5.56	14	072184	Wsh., flat, 3/8 in.	0.77	1.03
8	39204800	Gasket	10.36	13.89	15	070430	Bolt, hex, 3/8 - 16 x 1¼ in.	1.24	1.66
9	39204700	Diffuser	38.43	51.49	16	37413000	Nut	1.15	1.54
10	39200500	Imp., ½ hp	38.72	51.88	17	39201300	Support, mtr.	3.83	5.13
10	39200600	Imp., ¾ hp	38.72	51.88	18	98203000	Screw 13 - 16 x ¼ in. high-low	1.21	1.62
10	39200700	Imp., 1 hp	38.72	51.88	19	37413000	Nut, hex 3/8 - 16 in., volute to seal plate	1.15	1.54
10	39200800	Imp., 1½ hp	38.72	51.88					
10	39200900	Imp., 2 hp	38.72	51.88					



# Hydropump®

## Replacement Parts for Swimming Pool Pumps



Item No.	Part No.	Description	US List	Can. List	Item No.	Part No.	Description	US List	Can. List
<b>HYDROPUMPS</b>									
<b>Motors</b>									
1	356400	1/4F, 3/4A std. CFR key 115/230, 23 lbs.	266.68	357.35	9	353912	Volute	137.39	184.10
1	356401	3/4F, 1A std. CFR key 115/230, 23 lbs.	297.62	398.82	10	192323	O-ring	3.18	4.26
1	356402	1F, 1 1/2A std. CFR key 115/230, 25 lbs.	350.80	470.07	11	154481	Plug 1/4 in. DRAIN PLUG BLK	0.82	1.10
1	356403	1 1/2F, 2A std. CFR key 115/230, 33 lbs.	440.64	590.45	12	354125	Pot - 590 plastic strainer	92.57	124.05
1	356404	2F, 2 1/2A std. CFR key 230 only, 31 lbs.	552.35	740.15	12	354127	Pot - 700 plastic strainer	196.19	262.89
1	356405	3F std. CFR key 230 only, 40 lbs.	746.03	999.69	13	354280	knob - pot, 2 req.	8.72	11.68
2	353750	Extension - bronze shaft	21.67	29.04	14	353625	Lid - 590 clear plastic	32.54	43.60
3	354294	Screw - 3/8 - 16 x 1 1/4 in. cap, 2 req.	1.35	1.81	14	353525	Lid - 700 clear plastic	44.90	60.17
4	353775	Bracket seal <sup>1</sup>	53.44	71.61	14	354114	Lid - 700 strainer pot Baquacil	44.90	60.17
5	354894	Base - tri-pod pump	17.76	23.79	15	352602	O-ring - 590 lid	3.33	4.46
6	154445	Nut - 3/8 - 16 hex, 2 req.	1.09	1.46	15	352600	O-ring - 700 lid	4.27	5.72
7	353043	Impeller - 1/2F, 3/4A (white) <sup>2</sup>	33.95	45.49	16	352656	Basket w/handle - 590 plastic	7.86	10.53
7	353044	Impeller - 3/4F, 1A (no color) <sup>2</sup>	33.95	45.49	16	352670	Basket w/handle - 700 plastic	18.96	25.41
7	353013	Impeller - 1F, 1 1/2A (yellow) <sup>2</sup>	33.95	45.49	17	354001	Seal - 1/4 in. mechanical, PS201	11.72	15.70
7	353049	Impeller - 1 1/2F, 2A (green) <sup>2</sup>	33.95	45.49	18	354265	Screw - 5/16 - 18 hex wsh. hd., 8 req.	1.09	1.46
7	353050	Impeller - 2F, 2 1/2A (red) <sup>2</sup>	33.95	45.49	19	354290	Screw - 3/8 - 16 x 1 in. s/s cap, 4 req.	1.33	1.78
7	353220	Impeller - 3F (blue) <sup>2</sup>	35.51	47.58	20	354256	Screw - 1/4 - 20 x 3/8 in. s/s, 2 req.	0.88	1.18
8	352626	O-ring - volute	3.89	5.21	21	154909	Outrigger - motor	6.45	8.64

<sup>1</sup> Prior to 1981, use P/N 353728.

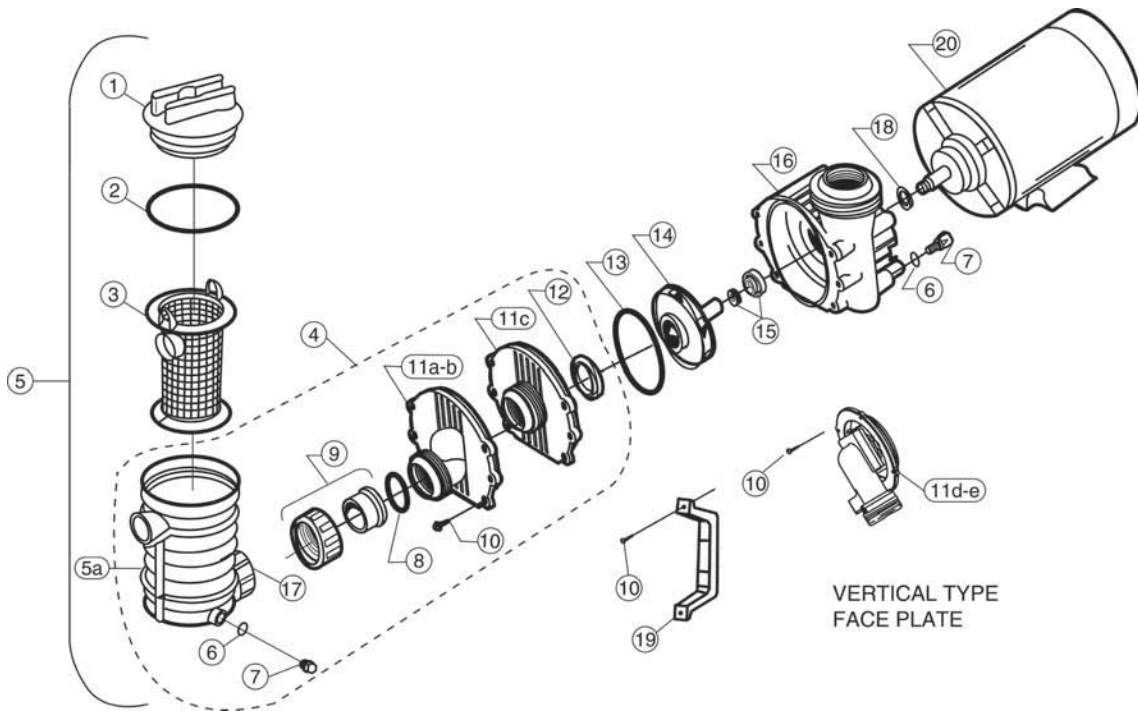
<sup>2</sup> Color coded dots indicate impeller hp.

*Note: When ordering replacement motor, give all information on motor name plate.*

Product on pages 173 - 174..

# Maxim™ Pump

## Replacement Parts for Swimming Pool Pumps



Item No.	Part No.	Description	US List	Can. List
<b>MAXIM PUMPS</b>				
1	39101199	Lid, clear, chemical resistant	31.65	42.41
1	39101100	Lid, clear	25.79	34.56
2	39101900	O-ring	7.21	9.67
3	39101200	Basket	24.88	33.34
4	39106800	Pot, union nut, face plate, wear ring assy.	82.33	110.32
5	39106900	Pot assy., complete	53.62	71.85
5a	39104800	Pot, only	19.61	26.28
6	57006500	O-ring	0.80	1.07
7	98206400	Plug, 1/4 in. with O-ring	1.88	2.53
8	071426	O-ring, swivel union	0.80	1.07
9	46802000	Swivel union, assy.	5.58	7.59
10	98210400	Screw, face plate, 8-32 x 5/8 in., S series	1.09	1.46
10	98215400	Screw, face plate, 10-24 x 7/8 in., C series	1.09	1.46
10	98215000	No. 10 lock washer, internal star	1.06	1.42
10	98215200	Nut, hex, 10-24	1.06	1.42
11a	39806000	Face plate center, self-drain	46.61	62.46
11b	39502500	Face plate side, self-drain	45.99	61.63
11c	39502400	Face plate, booster	21.55	28.88
11d	39105801	Face plate, vertical 180 deg.	54.59	73.15
11e	39105802	Face plate, vertical	54.59	73.15

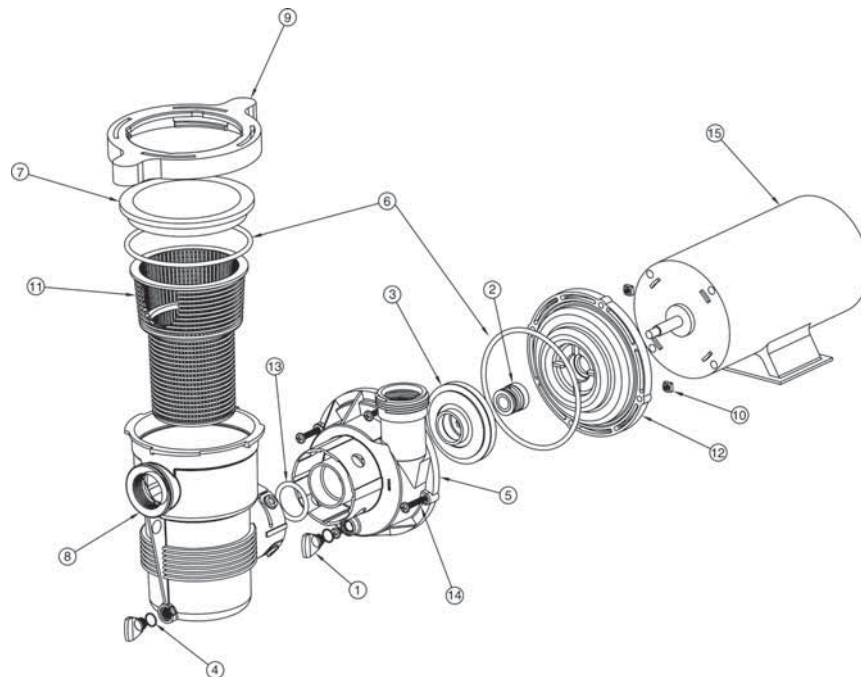
<sup>1</sup> Used on pumps manufactured after 7-93.

Item No.	Part No.	Description	US List	Can. List
12	39701800	Wear ring, 1/2 thru 1 1/2 hp <sup>1</sup>	3.24	4.34
13	39101500	O-ring, volute	7.21	9.67
14	39104600	Imp., 1/2 hp	27.35	36.65
14	39153100	Imp., 3/4 hp	27.35	36.65
14	39153200	Imp., 1 hp	27.35	36.65
14	39153400	Imp., 1 1/2 hp	27.35	36.65
14	39153500	Imp., 2 hp	26.68	35.75
14	39153100	Imp., 1/2 hp, 50 cycle	27.35	36.65
14	39153200	Imp., 3/4 hp, 50 cycle	27.35	36.65
14	39153300	Imp., 1 hp, 50 cycle	27.35	36.65
14	39153400	Imp., 1 1/2 hp, 50 cycle	27.35	36.65
15	39701200	Seal assy., PS 1000	22.55	30.22
16	39104900	Volute, C series	49.58	66.44
16	39102503	Volute, S series	44.87	60.13
17	98212200	Nut, pot union	5.48	7.34
18	39102100	Slinger	1.00	1.34
19	39101800	Bracket, vertical pump	17.23	23.08
20	Pump motor, see page 371.			
<b>NOT SHOWN</b>				
	39104400	Insert plate, self drain pump	2.47	3.31
	79137800	Cord assy., 25 ft. with std. plug	32.45	43.48
	39104500	Ring, retainer, swivel union	0.94	1.26



# OptiFlo™ Pump

## Replacement Parts for Swimming Pool Pumps



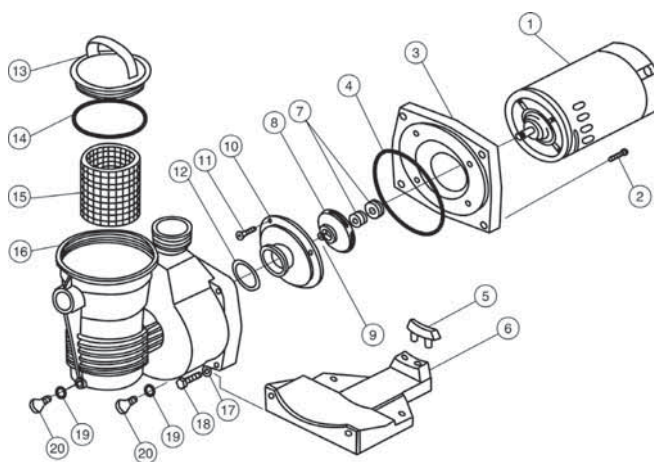
Item No.	Part No.	Description	US List	Can. List
<b>OPTIFLO PUMPS</b>				
1	154699	Drain Plug	3.47	4.66
2	354545	Mechanical Seal	11.51	15.43
3	350017	Impeller, 1 hp	30.44	40.80
3	354552	Impeller, ¾ hp	14.87	19.93
3	350018	Impeller, 1½ hp	33.22	44.52
4	192115	O-ring	4.17	5.58
5	357213	Volute	12.16	16.30
6	357255	O-ring 2-357	2.94	3.95
7	357227	Lid	6.86	9.19
8	357228	Pot	12.87	17.24
9	357239	Clamp ring	7.71	10.34
10	357254	¼-20 square nut	0.74	0.99
11	355667	Basket	11.31	15.15
12	357215	Seal plate	17.23	23.08
13	191517	O-ring 2-130	0.80	1.07
14	98209000	¼-20×1.5 machine screw	1.03	1.38
<b>MOTORS</b>				
15	356597	¾ hp, 115 volt, w/switch	217.62	291.62
15	356595	1 hp, 115 volt, w/switch	242.12	324.44
15	356469	1 ½ hp, 115/230 volt, w/o switch	333.16	446.44

Product on page 175.



# Pinnacle® High Flow Pump

## Replacement Parts for Swimming Pool Pumps



Item No.	Part No.	Description	US List	Can. List
<b>PINNACLE HIGH FLOW</b>				
<b>Motors</b>				
1	355371	¾A std. sq. fig. <sup>3</sup>	278.31	372.93
1	075232	¾A std. sq. fig. <sup>4</sup>	278.31	372.93
1	355339	1A std. sq. fig., 115/230, 25 lbs. <sup>3</sup>	320.65	429.67
1	075233	1A std. sq. fig., 115/230, 25 lbs. <sup>4</sup>	322.92	432.71
1	355340	1½A std. sq. fig., 115/230, 28 lbs. <sup>3</sup>	360.72	483.37
1	075234	1½A std. sq. fig., 115/230, 28 lbs. <sup>4</sup>	360.72	483.37
1	355342	2A std. sq. fig., 230 only, 32 lbs. <sup>3</sup>	360.72	483.37
1	075235	2A std. sq. fig., 230 only, 32 lbs. <sup>4</sup>	456.09	611.17
1	356438	¾ std. 48 frame thru-bolt 115 only <sup>2,3</sup>	220.95	296.07
1	356439	1 std. 48 frame thru-bolt 115 only <sup>2,3</sup>	248.92	333.56
1	356440	1½ std. 48 frame thru-bolt 115/230, 23 lbs. <sup>2,3</sup>	314.64	421.62
<b>Power Ends</b>				
1	356813	1F, 1½A power end <sup>4</sup>	525.44	704.08
1	356814	¾F, 1A power end <sup>4</sup>	477.68	640.09
1	356815	½F, ¾A power end <sup>4</sup>	429.89	576.05
2	354290	Hex hd. screw, 3/8-16, 4 req. <sup>2</sup>	1.33	1.78
3	355666	Seal bracket thru-bolt <sup>2,3</sup>	62.25	83.41
3A	356012	Seal plate, almond	58.45	78.32
4	355619	O-ring - seal bracket	5.45	7.30
5	355385	Motor support 48 frame <sup>1</sup>	6.36	8.52
6	355613	Pump base	25.56	34.25
7	354545	Mechanical seal - 5/8 in., PS 200	11.51	15.43

<sup>1</sup> This item - motor support P/N 355385 is required on 5/8 in. diameter motors.

<sup>2</sup> Items 2, 3A, 8A, 9, 10A and 15A used on pumps built after November 1, 1994.

<sup>3</sup> Black.

<sup>4</sup> Almond.

Item No.	Part No.	Description	US List	Can. List
8	355258	Impeller ¾A	30.09	40.32
8	355263	Impeller 1A	25.94	34.76
8	355278	Impeller 1½A	28.33	37.96
8	355225	Impeller 2A	28.53	38.23
8A	355043	Impeller ½F, ¾A <sup>2</sup>	27.44	36.77
8A	355067	Impeller ¾F, 1A <sup>2</sup>	28.00	37.52
8A	355074	Impeller 1F, 1½A <sup>2</sup>	28.33	37.96
9	355389	Screw, impeller locking	0.77	1.03
10	355618	Diffuser - 1F, 1½A Pinnacle <sup>2</sup>	48.38	64.83
10	355617	Diffuser - ½F, ¾A and ¾F, 1A <sup>2</sup>	48.38	64.83
11	355334	Screw - #8-32 hex wsh. hd., 3 req.	0.77	1.03
12	355030	Seal - diffuser	4.71	6.31
13	355301	Lid strainer pot	32.48	43.52
13	354112	Lid, chemical resistant	32.48	43.52
14	350013	O-ring, lid	1.56	2.09
15	355667	Basket - large	11.31	15.15
16	356011	Pump housing, almond	162.95	218.35
17	072184	Wsh., 3/8 in. s/s, 4 req.	0.77	1.03
18	355621	Screw - ¾" - 16 x 2¼ hex hd., 4 req.	2.53	3.39
19	192115	O-ring, drain plug, 2 req.	4.17	5.58
20	154699	Drain plug, 2 req.	3.47	4.66

### NOTES:

1. When ordering replacement motor, give all information contained on motor name plate

Product on pages 176

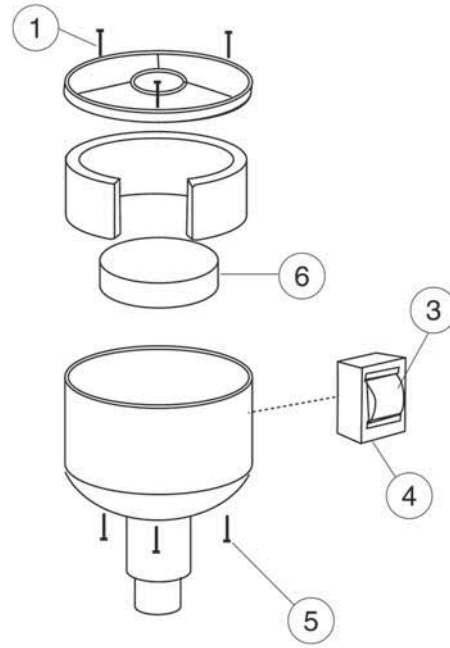




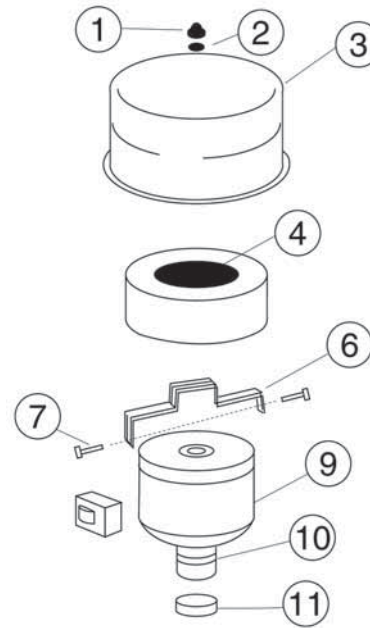
# Super Charger™ II/Turbo Charger™

## Replacement Parts for Residential Air Blowers

Item No.	Part No.	Description	US List	Can. List
<b>BLOWERS</b>				
<b>SUPER CHARGER II BLOWERS</b>				
1	40002700	Screw, 10 × 2½ in. Phillips	0.80	1.07
3	41111800	Switch, 120 volt, on/off, UL	15.08	20.20
3	41112800	Switch, 240 volt, on/off, UL	19.49	26.12
4	41111500	Cover, junction box, UL/ CSA	19.70	26.40
5	40002800	Screw, 10 × 1¾ in. Phillips, flat head	1.30	1.74
6	41116400	Blower motor, 1 hp, 110V, UL	165.30	221.50
6	41116900	Blower motor, 1 hp, 220V	178.88	239.69
6	41116700	Blower motor, 2 hp, 220V	CALL	CALL
<b>TURBO CHARGER BLOWERS</b>				
1	41473500	Acorn nut 8-32	1.94	2.60
2	98213800	Lock washer #8	0.80	1.07
3	41413000	Blower lid assy.	115.63	154.94
4	41475200	Foam support	3.09	4.14
6	41412005	Bracket - 1 stage	21.70	29.08
6	41412006	Bracket - 2 stage	21.70	29.08
7	98205100	Screw, 5/8 in. hex washer	0.80	1.07
9	41116400	Blower motor, 1 hp, 110V, UL	165.30	221.50
9	41116900	Blower motor, 1 hp, 220V	178.88	239.69
9	41116700	Blower motor, 2 hp, 220V	CALL	CALL
10	40000100	Clamp, 2 in. hose	4.45	5.96
11	41411900	Check valve	6.33	8.48



Super Charger II



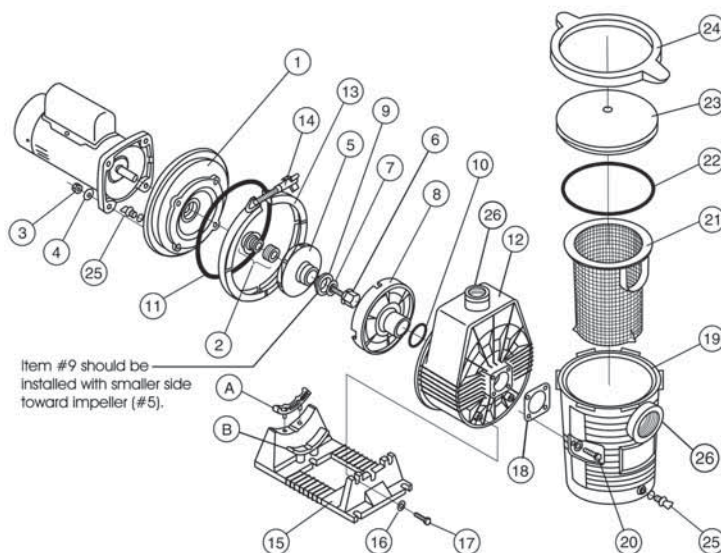
Turbo Charger





# Ultra-Flow® Pump

## Replacement Parts for Swimming Pool Pumps



Item No.	Part No.	Description	US List	Can. List
<b>ULTRA-FLOW PUMPS</b>				
1	357143	Seal plate, almond	56.00	75.04
1	357142	Seal plate, kit, almond	56.21	75.32
2	071734	Seal 1000	13.16	17.64
2	39702001	Seal set, plastic	16.40	21.98
3	98220500	Nut, brass, 3/8 - 16 hex	0.80	1.07
4	98220600	Washer, lock, 3/8 s/s	0.77	1.03
5	39005610	Anti-spin implr. kit, 1/2 hp, 60 Hz <sup>3</sup>	57.68	77.29
5	39005010	Anti-spin implr. kit, 3/4 hp, 60 Hz, 1/2 hp, 50 Hz <sup>3</sup>	53.94	72.28
5	39005110	Anti-spin implr. kit, 1 hp, 60 Hz, 3/4 hp, 50 Hz <sup>3</sup>	54.03	72.40
5	39005210	Anti-spin implr. kit, 1 1/2 hp, 60 Hz, 1 hp, 50 Hz <sup>3</sup>	56.18	75.28
5	39005310	Anti-spin implr. kit, 2 hp, 60 Hz, 1 1/2 hp, 50 Hz <sup>3</sup>	55.24	74.02
5	39005410	Anti-spin implr. kit, 3 hp, 60 Hz, 2 hp, 50 Hz <sup>3</sup>	55.24	74.02
5	39099910	Anti-spin implr. kit, 3 hp, 50 Hz <sup>3</sup>	42.75	58.14
5	39010400	Anti-spin implr. (only), 3 hp, 50 Hz	46.02	61.67
5	39015210	Anti-spin implr. kit, 1 1/2 hp, UR high flow <sup>3</sup>	39.78	54.10
5	39015310	Anti-spin implr. kit, 2 hp, UR high flow <sup>3</sup>	68.03	92.52
5	39015410	Anti-spin implr. kit, 2 1/2 hp, UR high flow <sup>3</sup>	79.94	108.72
6	39009900	Screw, implr. lock, left-hand thrd.	3.24	4.34
7	39010000	O-ring for implr. lock	0.77	1.03
8	39005500	Diffuser, 1/2 to 1 1/2 hp	14.49	19.41
8	39015500	Diffuser, 2 and 3 hp	13.78	18.47
9	39006900	Wear ring	10.57	14.16

Item No.	Part No.	Description	US List	Can. List
10	39006600	Gasket, diffuser	1.77	2.37
11	39006000	O-ring, volute	9.69	12.98
12	357141	Volute, 1 1/2 in., almond	108.44	145.31
12	357140	Volute, 2 in., almond	87.63	117.42
13	39006200	Clamp assy., volute	83.30	111.62
14	39302700	Knob, clamp	7.36	9.86
15	357139	Base, almond	18.99	25.45
16	072184	Wsh., flat 3/8 in.	0.77	1.03
17	98219800	Bolt, 5/16 - 18 x 1 in.	0.77	1.03
18	39501200	Gasket, pot to volute	5.01	6.71
19	39201810	Pot, 1 1/2 in. thrd., w/wear ring, upgrd. kit <sup>1</sup>	134.33	180.00
19	357138	Pot, 1 1/2 in. thrd., w/wear ring, almond <sup>2</sup>	144.43	193.53
19	39202010	Pot, 2 in. thrd., w/wear ring, upgrd. kit <sup>1</sup>	134.44	180.15
19	357137	Pot, 2 in. thrd., w/wear ring, almond <sup>2</sup>	146.63	196.49
20	070979	Bolt, 1/4 - 20 x 1 1/2 in.	0.80	1.07
21	39303500	Basket	27.65	37.05
22	39300300	O-ring, lid <sup>1</sup>	10.16	13.61
22	39300600	O-ring, lid <sup>2</sup>	10.16	13.61
23	39301700	Lid	26.18	35.08
23	39301799	Chemical resistant lid	23.88	32.00
24	39303000	Clamp assy. pot <sup>1</sup>	57.56	77.14
24	39105000	Locking ring, pot lid <sup>2</sup>	25.26	33.85
25	357136	Plug 1/4 in. with O-ring, almond	3.24	4.34

Continued on next page.  
Product on pages 177 - 178.

<sup>1</sup> Used on pumps manufactured before 11-94.

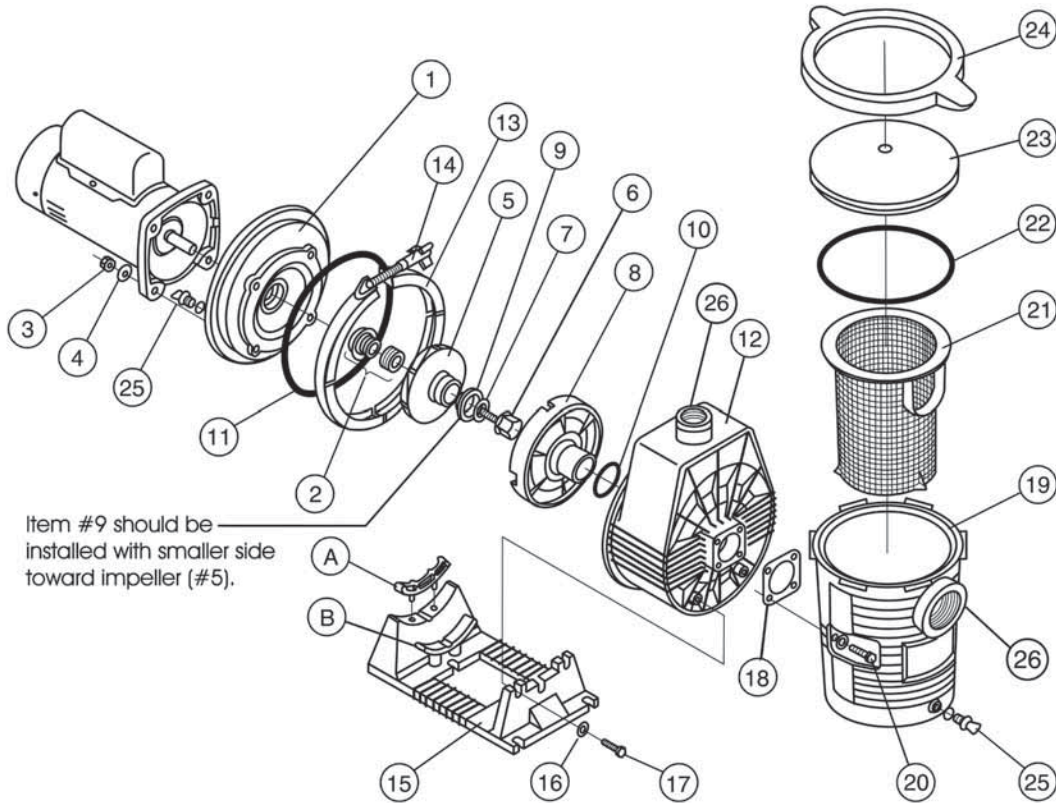
<sup>2</sup> Used on pumps manufactured after 11-94.

<sup>3</sup> Includes Items 6 and 7 in the kit.



# Ultra-Flow<sup>®</sup> Pump

## Replacement Parts, (Cont'd.)



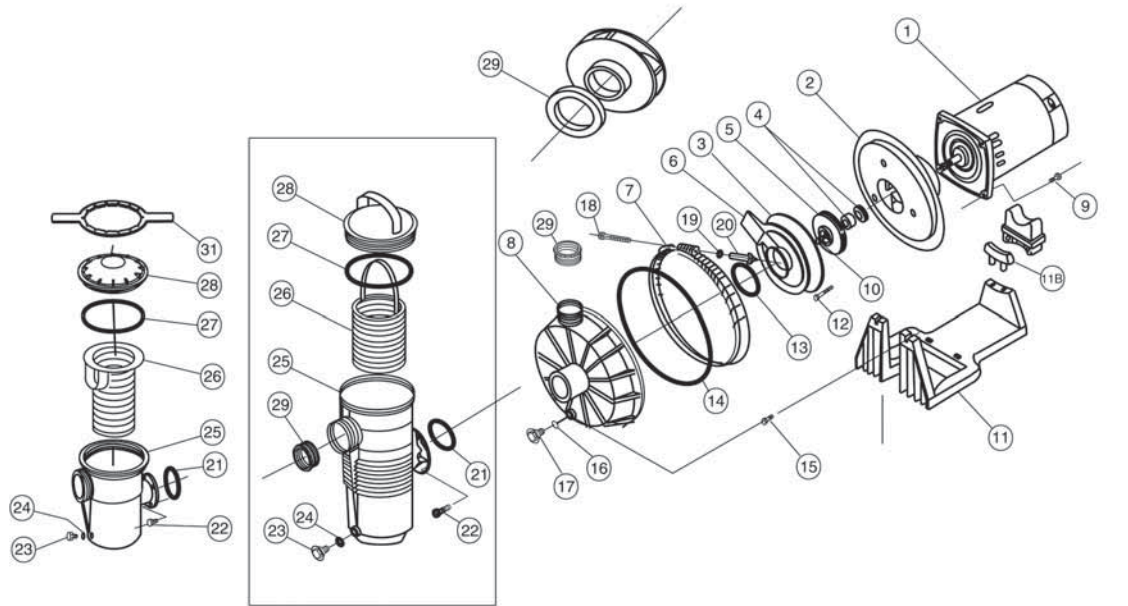
Item No.	Part No.	Description	US List	Can. List	Item No.	Part No.	Description	US List	Can. List
<b>ULTRA-FLOW PUMPS</b>									
26	39007200	Ring, reinforcing, for ports 2 in.	4.30	5.76	071313		¼ hp F, 1 hp UR, E+, sq. fig. almond	345.18	462.54
26	39204600	Ring, reinforcing, for ports 1½ in.	4.15	5.56	071314		1 hp F, 1½ hp UR, E+, sq. fig. almond	378.04	506.57
A	357134	Support, motor, rear, almond	3.21	4.30	071315		1½ hp F, 2 hp UR, E+, sq. fig. almond	468.58	627.90
B	357133	Support, motor, front, almond	3.21	4.30	071316		2 hp F, 2½ hp UR, E+, sq. fig. almond	565.75	758.10
<b>NOT SHOWN</b>									
	98208300	Screw, hh. ¼ - 20 x 7/8	2.06	2.76	071317		3 hp F, E+, sq. fig. almond	725.13	971.67
	072183	Flat washer, ¼ in.	0.77	1.03	075232		½ hp F, ¼ hp UR, std., sq. fig. almond	278.31	372.93
	39302800	Clamp only	48.32	64.75	075233		¾ hp F, 1 hp UR, std., sq. fig. almond	322.92	432.71
<b>MOTORS</b>									
	356626	1 hp, 3 ph, sq. fig. almond	427.89	573.37	075234		1 hp F, 1½ hp UR, std., sq. fig. almond	360.72	483.37
	356627	1½ hp, 3 ph, sq. fig. almond	543.01	727.64	075235		1½ hp F, 2 hp UR, std., sq. fig. almond	456.09	611.17
	356628	2 hp, 3 ph, sq. fig. almond	604.49	810.02	075236		2 hp F, 2½ hp UR, std., sq. fig. almond	545.49	730.95
	356629	3 hp, 3 ph, sq. fig. almond	744.06	997.04					
	356630	1 hp, 1.5A, 2 spd., 1 ph, sq. fig. almond	498.76	668.34					

<sup>1</sup> Used on pumps manufactured before 11-94.  
<sup>2</sup> Used on pumps manufactured after 11-94.

Product on pages 177 - 178.

# WaterFall™ Pump

## Replacement Parts for Specialty Pumps



Item No.	Part No.	Description	US List	Can. List	Item No.	Part No.	Description	US List	Can. List
<b>WATERFALL PUMPS</b>									
1	355218	Motor - AF-75 & 120, AFP-75 & 120, 37 lbs.	359.37	481.56	14	355329	O-ring - front housing	8.48	11.36
1	355222	Motor - AF-180, AFP-150 & 180, 35 lbs.	414.73	555.73	15	355335	Screw - 5/16 - 18 x 1/2 in. s/s hex wsh. hd., (AF models only)	0.77	1.03
2	355497	Plate - seal	51.26	68.69	16	192115	O-ring - drain plug	4.17	5.58
3	355317	Plate - mounting AF-75, AFP-75	7.54	10.10	17	154699	Plug - 1/2 in. drain	3.47	4.66
3	355495	Plate - mounting AF-120 & 180, AFP-120, 150 & 180	6.95	9.31	20	175025	Knob (fits clamp w/captured T-bolt only)	17.76	23.79
4	354545	Seal - 5/8 in. mechanical, PS 200	11.51	15.43	21	355330	O-ring - strainer pot flange	0.88	1.18
5	355544	Imp. AF-75, AFP-75	37.25	49.91	22	354265	Screw - 5/16 in. - 18 hex wsh. hd., 4 req.	1.09	1.46
5	355068	Imp. AF-120, AFP-120	28.00	37.52	23	154699	Plug - 1/2 in. drain	3.47	4.66
5	355221	Imp. AF-180, AFP-150 & 180	27.21	36.46	24	192115	O-ring - drain plug	4.17	5.58
6	355545	Diffuser AF-75, AFP-75	46.93	62.89	25	355300	Strainer pot AFP-75, AFP-120 & 150	73.76	98.84
6	355069	Diffuser AF-120, AFP-120	18.87	25.29	25	355900	Strainer pot AFP-180	264.12	353.92
6	355140	Diffuser AF-180, AFP-150 & 180	25.41	34.05	26	355318	Basket - plastic strainer AFP-75 & 120	17.52	23.48
7	355320	Band - clamp assy. complete	44.70	59.89	26	355441	Basket - s/s strainer AFP-150	95.31	127.72
8	355302	Housing - front	98.73	132.29	26	355901	Basket - s/s strainer AFP-180	206.64	276.90
9	354290	Screw - 3/8 in.-16 hex hd., 4 req.	1.33	1.78	27	350013	O-ring - lid AFP-75, AFP-120 & 150	1.56	2.09
10	355389	Screw - impeller locking	0.77	1.03	27	152509	Seal - lid AFP-180	3.68	4.93
11	355305	Base - pump <sup>1</sup>	24.94	33.42	28	355301	Lid - strainer pot AFP-75, AFP-120 & 150	32.48	43.52
11B	355385	Adapter - 5 -5/8 in. dia. motor <sup>2</sup>	6.36	8.52	28	355902	Lid - strainer pot AFP-180	37.66	50.46
12	355334	Screw #8-32 x 1 in. AF-75 & 120, AFP-75 & 120, 3 req.	0.77	1.03	29	355142	Bushing - impeller nose AF-180, AFP-150 & 180	34.72	46.52
12	355141	Screw #8-32 x 1-1/2 in. AF-180, AFP-150 & 180	0.80	1.07	31	154527	Wrench 8 1/2 in. - strainer pot AFP-180	14.78	19.81
13	355331	O-ring - diffuser	0.82	1.10					

<sup>1</sup> Pump base (item 11) include's dual radius motor support.

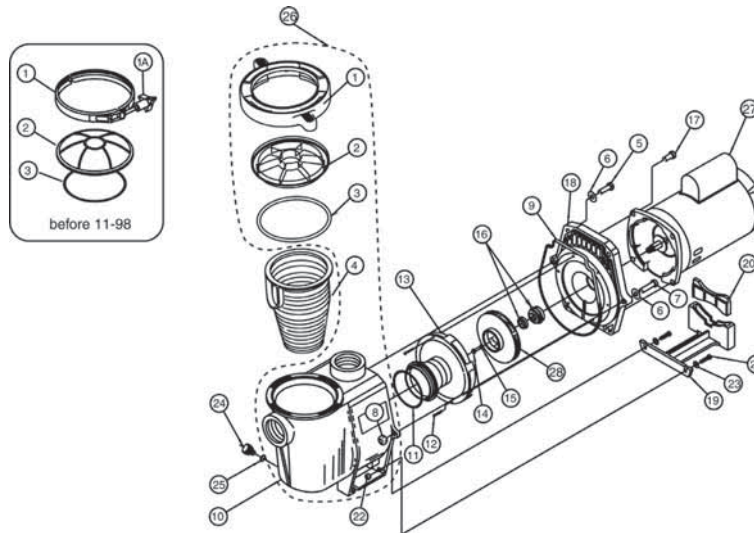
<sup>2</sup> Item 11A - motor support is a replacement part that fits only older style pump bases with rectangular opening.

Product on pages 179 - 180.  
Replacement baskets on page 206.



# WhisperFlo® Pump

## Replacement Parts for Swimming Pool Pumps



Item No.	Part No.	Description	US List	Can. List	Item No.	Part No.	Description	US List	Can. List
<b>WHISPERFLO PUMPS</b>									
1	070711	Clamp band assy., s/s, WF/AQ <sup>5</sup> (old style)	44.52	59.66	12	071660	Set screw, 4-40 x 1 - 1/8 WFE, 2 req.	1.65	2.21
1	357150	Clamp, cam & ramp, plastic, black, WF <sup>7</sup>	24.06	32.24	13	072928	Diffuser assy., WFE-12, 3 hp only	45.85	61.43
1	357199	Clamp, cam & ramp, plastic, almond, WF <sup>8</sup>	24.06	32.24	13	072927	Diffuser assy., WFE-2-8, 1/2 hp - 2.5 hp	38.34	51.37
1A	071136	Knob, only	11.63	15.58	14	071652	Set screw 1/4 - 20 x 1 lh. phillips	1.30	1.74
2	070795	Cover, clear, AQ/WFE pump <sup>5</sup> (old style)	25.20	33.77	15	075713	Rubber washer, WFE pump	0.77	1.03
2	357151	Cover, clear, WFE pump <sup>5</sup>	18.11	24.27	16	071734	Seal PA-7 w/ceramic seat, PS1000	13.16	17.64
2	357156	Cover, chemical resistant cam & ramp	34.13	45.73	17	070429	Bolt 3/8 - 16 x 7/8 s/s hex hd., 4 req.	1.38	1.85
3	071422	O-ring, AQ/WFE cover <sup>5</sup>	3.47	4.66	18	357149	Seal plate, WFE <sup>4</sup> (Replaces 075417)	135.39	181.42
3	350013	O-ring, WFE cover <sup>5</sup>	1.56	2.09	18	074564	Seal plate, WFE <sup>5</sup>	54.83	73.47
4	070387	Basket, AQ & WFE	9.69	12.98	19	070927	Foot, WFE-4 pump	19.35	25.92
5	070430	Bolt 3/8 - 16 x 1.25 hex hd. s/s, 4 req.	1.24	1.66	19	357159	Foot, (black) <sup>9</sup>	19.35	25.92
6	072184	Wsh., 3/8 x 13/16 o.d. s/s, 6 req.	0.77	1.03	20	070929	Foot insert, WFE pump	9.69	12.98
7	070431	Bolt 3/8 - 16 x 1.75 hex hd. s/s, 2 req.	1.38	1.85	20	357160	Foot insert, WFE pump, (black) <sup>9</sup>	9.69	12.98
8	071403	Nut 3/8 - 16 hex hd. s/s, 2 req.	0.77	1.03	21	071657	Screw 1/4 - 20 x 1 in. hh. s/s, 2 req.	0.77	1.03
9	071445	O-ring parker #2-265, WFE pump <sup>14</sup>	8.69	11.64	22	071406	Nut 1/4 - 20 hex. hd. s/s, 2 req.	0.77	1.03
9	357102	Gasket seal plate, WFE pump	3.15	4.22	23	072183	Washer, flat 1/4 x 5/8, 2 req.	0.77	1.03
10	357149	Volute, WFE pump & pot (Replaces 074565)	135.39	181.42	24	071131	Knob plug drain, 2 req. (almond)	3.09	4.14
10	350015	Volute, WFE pump & pot, (almond) <sup>6</sup>	115.10	154.23	24	357161	Knob plug drain, 2 req., (black) <sup>9</sup>	2.03	2.72
10	357157	Volute, WFE pump & pot, (black) <sup>9</sup>	115.10	154.23	25	074629	Gasket, flat wsh., WFE pmp. drn., 2 req.	0.77	1.03
11	071444	O-ring parker #2-238, WFE pump	3.09	4.14	26	357149	Volute replacement kit <sup>6</sup>	135.39	181.42

<sup>1</sup> Used on pumps manufactured before 6-94.

<sup>2</sup> Used on pumps manufactured after 6-94.

<sup>3</sup> Energy efficient single phase.

<sup>4</sup> Pumps manufactured before 11-98 require a volute replacement kit (357149) when replacing items #9, gasket, #10, volute, or #18, seal plate. This kit will update the pump to the new configuration using the "cam and ramp" lid design.

<sup>5</sup> Used on pumps manufactured before 11-98.

<sup>6</sup> Used on pumps manufactured after 11-98.

<sup>7</sup> Used on pumps manufactured between 11-98 thru 12-17-99.

<sup>8</sup> Used on pumps manufactured after 12-17-99.

<sup>9</sup> CSA/CUL (only) for Canada.

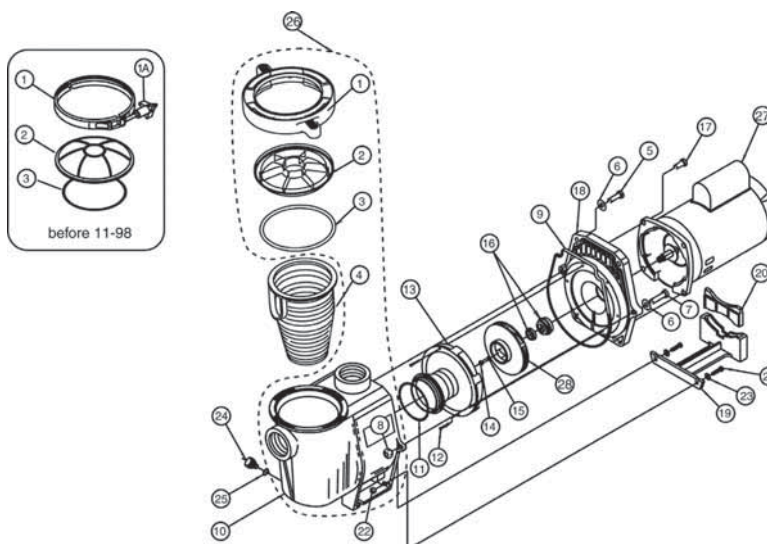
Continued on next page.  
Product on pages 181 - 182.





# WhisperFlo® Pump

## Replacement Parts, (Cont'd.)



Item No.	Part No.	Description	US List	Can. List
<b>WHISPERFLO PUMPS</b>				
<b>ITEM 27, MOTORS</b>				
27	071313	¼ hp, 60 Hz, WFE-2, 3 & 24, 29 lbs. <sup>3</sup>	345.18	462.54
27	071314	1 hp, 60 Hz, WFE-4 & 26, 33 lbs. <sup>3</sup>	378.04	506.57
27	071315	1½ hp, 60 Hz, WFE-6 & 28, 39 lbs. <sup>3</sup>	468.58	627.90
27	071316	2 hp, 60 Hz, WFE-8 & 30, 40 lbs. <sup>3</sup>	565.75	758.10
27	071317	3 hp, 60 Hz, WFE-12, 40 lbs. <sup>3</sup>	725.13	971.67
27	356630	1 hp, 2 sp., WFDS-4 & 26, 34 lbs. <sup>11</sup>	498.76	668.34
27	071320	1½ hp, 2 sp., WFDS-6 & 28, 36 lbs. <sup>11</sup>	611.74	819.73
27	071321	2 hp, 2 sp., WFDS-8 & 30, 45 lbs. <sup>11</sup>	774.36	1,037.64
27	075232	½ hp, WF-2, 23, 39 lbs. <sup>10</sup>	278.31	372.93
27	075233	¾ hp, WF-3, 24, 26 lbs. <sup>10</sup>	322.92	432.71
27	075234	1 hp, WF-4, 26, 28 lbs. <sup>10</sup>	360.72	483.37
27	075235	1½ hp, WF-6, 28, 39 lbs. <sup>10</sup>	456.09	611.17
27	075236	2 hp, WF-8, 30, 32 lbs. <sup>10</sup>	545.49	730.95
27	075237	3 hp, WF-12, 40 lbs. <sup>10</sup>	721.18	966.38
27	355203	WFK-4 motor, 28 lbs., 3 ph, blk.	427.89	573.37
27	355204	WFK-6 motor, 30 lbs., 3 ph, blk.	543.01	727.64
27	355205	WFK-8 motor, 37 lbs., 3 ph, blk.	604.49	810.02
27	355398	WFK-12 motor, 35 lbs., 3 ph, blk.	744.06	997.04
27	356626	1 hp, 3 ph, sq. fig. almond	427.89	573.37
27	356627	1.5 hp, 3 ph, sq. fig. almond	543.01	727.64
27	356628	2 hp, 3 ph, sq. fig. almond	604.49	810.02
27	356629	3 hp, 3 ph, sq. fig. almond	744.06	997.04
27	356630	1 hp, 1.5A, 2 spd., 1 ph, sq. fig. almond	498.76	668.34
28	073126	Imp. WFE-2 1000 series	50.32	67.43

Item No.	Part No.	Description	US List	Can. List
28	073127	Imp. WFE-3 1000 series, WF-3 & 24, FE-24	50.32	67.43
28	073128	Imp. WFE-4 1000 series, WF-4 & 26, FE-26	50.32	67.43
28	073129	Imp. WFE-6 1000 series, WF-6 & 28, WFDS-6 & 28, WFE-28	50.32	67.43
28	073130	Imp. WFE-8 1000 series, WF-8 & 30, WFDS-8 & 30, WFE-30	50.32	67.43
28	073131	Imp. WFE-12 1000 series, WFE-12	50.32	67.43
<b>MOTOR SUBASSY. INCLUDES ITEMS #5, 6, 7, 11 THRU 18, 27, 28</b>				
	075137	WFE-3, WFE-24 <sup>3</sup>	515.34	690.55
	075138	WFE-4, WFE-26 <sup>3</sup>	548.61	735.14
	075139	WFE-6, WFE-28 <sup>3</sup>	642.77	861.31
	075140	WFE-8, WFE-30 <sup>3</sup>	739.17	990.49
	075141	WFE-12 <sup>3</sup>	917.55	1,229.51
	075142	WFEDS-4 <sup>11</sup>	677.81	908.27
	075143	WFEDS-6, WFEDS-28 <sup>11</sup>	791.94	1,061.20
	075144	WFEDS-8, WFEDS-30 <sup>11</sup>	963.51	1,291.10
	075252	WF-3, WF-24 <sup>10</sup>	504.80	676.43
	075253	WF-4, WF-26 <sup>10</sup>	533.18	714.46
	075254	WF-6, WF-28 <sup>10</sup>	632.70	847.82
	075255	WF-8, WF-30 <sup>10</sup>	727.16	974.39
	075256	WF-12 <sup>10</sup>	911.39	1,221.27
<b>FLUID ENDS-ALL PARTS, W/O MOTOR</b>				
	075452	WFE-3 fluid end, ¼ hp	402.15	538.88
	075453	WFE-4 fluid end, 1 hp	394.59	528.74
	075454	WFE-6 fluid end, 1½ hp	398.27	533.68
	075455	WFE-8 fluid end, 2 hp	394.82	529.06
	075456	WFE-12 fluid end, 3 hp	393.53	527.32

<sup>10</sup> Standard efficiency, single phase.

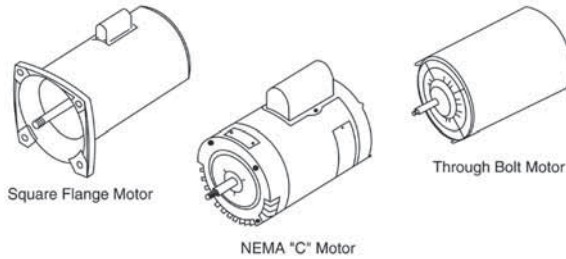
<sup>11</sup> Two Speed, single phase.

Product on pages 181 - 182.



# Motors

## Replacement Parts



Part No. BLACK	Part No. ALMOND	Description	US List	Can. List	Part No. BLACK	Part No. ALMOND	Description	US List	Can. List
<b>MOTORS</b>									
<b>SQUARE FLANGE MOTORS, SINGLE SPEED STD., 60Hz</b>									
355371		½ hp F, ¼A, 115/230 volt	278.31	372.93	356630		1 hp F, ½A, 230 volt	498.76	668.34
	075232	½ hp F, ¼A, 115/230 volt	278.31	372.93	071320		1½ hp F, 2A, 230 volt	611.74	819.73
355339		¾ hp F, 1A, 115/230 volt	320.65	429.67	071321		2 hp F, 2½A, 230 volt	774.36	1,037.64
	075233	¾ hp F, 1A, 115/230 volt	322.92	432.71	<b>SQUARE FLANGE MOTORS, 3 PHASE, ENERGY EFFICIENT, 60 Hz</b>				
355340		1 hp F, ½A, 115/230 volt	360.72	483.37	355201		½ hp F, 208/230 volt	371.06	497.22
	075234	1 hp F, ½A, 115/230 volt	360.72	483.37	356626		1 hp F, 208/230/460 volt	427.89	573.37
355342		1½ hp F, 2A, 115/230 volt	456.09	611.17	355203		1 hp F, 208/230 volt	427.89	573.37
	075235	1½ hp F, 2A, 115/230 volt	456.09	611.17	356627		1½ hp F, 208/230/460 volt	543.01	727.64
	075236	2 hp F, 2½A, 230 volt	545.49	730.95	355204		1½ hp F, 208/230 volt	543.01	727.64
355702		2 hp F, 2½A, 230 volt	545.49	730.95	356628		2 hp F, 208/230/460 volt	604.49	810.02
	075237	3 hp F, 230 volt	721.18	966.38	355205		2 hp F, 208/230 volt	604.49	810.02
355703		3 hp F, 230 volt	725.45	972.11	356629		3 hp F, 208/230/460 volt	744.06	997.04
<b>SQUARE FLANGE MOTORS, SINGLE SPEED, ENERGY EFFICIENT, 50Hz</b>					355398		3 hp F, 208/230/460 volt	744.06	997.04
355513		¾ hp, 120/240 volt	383.36	521.37	355704		5 hp F, 208/230/460 volt	925.41	1,240.05
355514		1 hp, 120/240 volt	409.78	549.10	<b>FULL RATED NEMA "C" MOTORS, 60 Hz, BLACK</b>				
355515		1½ hp, 240 volt	456.25	620.50	39610200		½ hp, 115/230 volt	268.81	365.58
355516		2 hp, 240 volt	642.68	861.20	39611300		¾ hp, 115/230 volt	351.63	471.18
355517		3 hp, 240 volt	807.90	1,082.58	39612400		1 hp, 115/230 volt	406.36	544.53
<b>SQUARE FLANGE MOTORS, SINGLE SPEED, ENERGY EFFICIENT, 60Hz</b>					39613600		1½ hp, 115/230 volt	530.59	710.99
355391		¾ hp F, 1A, 115/208/230 volt	345.18	462.54	<b>THROUGH BOLT MOTORS, SINGLE SPEED STD., 60 Hz, BLACK</b>				
	071313	¾ hp F, 1A, 115/208/230 volt	345.18	462.54	356470		½ hp, ¼ SPL, 115 volt, w/o switch	198.90	266.52
355392		1 hp F, 1½A, 115/208/230 volt	378.04	506.57	356597		¾ hp, 1SPL, 115 volt, w/switch	217.62	291.62
	071314	1 hp F, ½A, 115/208/230 volt	378.04	506.57	356497		¾ hp, 1SPL, 115 volt, w/o switch	195.75	262.30
	356626	1 hp F, ½A, 115/208/230 volt	427.89	573.37	356436		¾ hp, CSA, 115 volt, w/o switch	183.00	245.22
355393		1½ hp F, 2A, 208/230 volt	468.58	627.90	356595		1 hp, 1½ SPL, 115 volt, w/switch	242.12	324.44
	071315	1½ hp F, 2A, 208/230 volt	468.58	627.90	356495		1 hp, 1½ SPL, 115 volt, w/o switch	219.71	294.42
355394		2 hp F, 2½A, 208/230 volt	565.69	758.02	356437		1 hp, CSA, 115 volt, w/o switch	215.68	289.01
	071316	2 hp F, 2½A, 208/230 volt	565.75	758.10	356469		1½ hp, 2 SPL, 115/230 volt, w/o switch	333.16	446.44
355395		3 hp F, 208/230 volt	755.13	1,011.88	356440		1½ hp, CSA, 115 volt, w/o switch	314.64	421.62
	071317	3 hp F, 208/230 volt	725.13	971.67	39610300		2 hp, 115/230 volt	500.61	670.82
355705		5 hp F, 208/230 volt	1,003.08	1,344.13	<b>THROUGH BOLT MOTORS, TWO SPEED, STANDARD, 60 Hz, BLACK</b>				
<b>SQUARE FLANGE MOTORS, TWO SPEED, 60 Hz</b>					39607200		½ hp, 115 volt	389.73	522.23
355375		¾ hp F, 1A, 115 volt	478.15	640.72	356485		¾ hp, 115 volt	314.03	420.79
355232		¾ hp F, 1A, 230 volt	438.78	587.97	356550		¾ hp, 1 SPL, 115 volt, w/switch	298.57	400.08
355376		1 hp F, ½A, 230 volt	498.76	668.34	356551		1 hp, 1½ SPL, 115 volt, w/switch	310.85	416.53
355377		1½ hp F, 2A, 230 volt	615.39	824.62	39607600		1½ hp, 230 volt	490.75	657.61
355378		2 hp F, 2½A, 230 volt	774.30	1,037.56	39610600		2 hp, 230 volt	553.61	741.84