



Filter Parts

Replacement Parts For Sand Filters

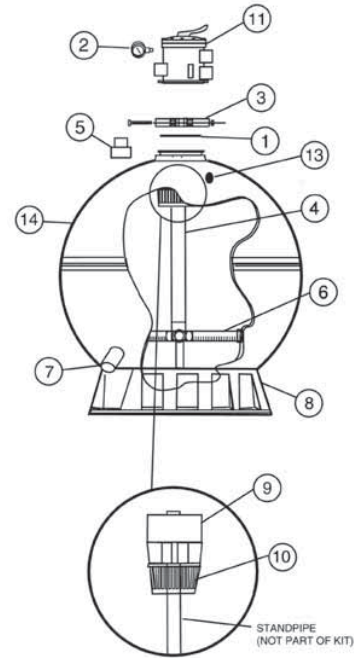
Filter Parts - Sand

Meteor® Top Mount Filters

Replacement Parts Filters



Item No.	Part No.	Description	US List	Can. List
ECLIPSE / METEOR TOP MOUNT FILTERS				
1	52000500	O-ring, clamp, 30 in.	7.57	10.14
1	39300600	O-ring, clamp, 26 in.	10.16	13.61
1	51011900	O-ring, clamp, 22 in. ¹	4.39	5.88
1	51021700	Gasket, clamp 22 in. filter ²	2.53	3.39
2	155050	Gauge, pressure, rear connection	16.72	22.41
3	51020900	Clamp, multiport valve, 22 in. filter ²	26.74	35.83
3	58915000	Clamp, multiport valve, 26 in., 30 in. filter	67.96	91.06
3	152165	Clamp plastic 6 way valve ⁶	12.34	16.53
4	55027700	Standpipe assy., 22 in. filter	47.46	63.60
4	55025200	Standpipe assy., 26 in. filter	54.97	73.66
4	55029800	Standpipe assy., 30 in. filter	65.69	88.03
4	152223	Stand pip 18" ⁶		
4	152224	Stand pip 20" ⁶	69.44	93.06
4	152225	Stand pip 22" ⁶	72.22	96.78
5	51011700	Standpipe TM valve adptr., 1½ in. port, 30 in. filter	5.45	7.30
5	51011400	Standpipe TM valve adptr., 2 in. port, 30 in. filter	6.12	8.21
6	55025700	Lateral, underdrain, 22 in. filter, 8 per filter ³	3.42	4.58
6	55025800	Lateral, underdrain, 26 in. filter, 8 per filter ³	4.27	5.72
6	55025900	Lateral, underdrain, 30 in. filter, 8 per filter ³	5.12	6.87
6	150084	Lateral (18", 20") ⁶		
6	150085	Lateral (22") ⁶		
7	55007800	Drain assy., complete	12.37	16.57
7	86300300	Fitting, drain, sand / water	5.45	7.30
7	51005000	O-ring drain / inspection fittings	3.47	4.66
7	86300400	Cap, drain	2.74	3.67
7	86300500	Gasket, drain cap	2.74	3.67
7	150065	Drain Assy. Complete ⁶		
8	55226100	Base, 22 & 26 in. filter	126.35	169.30
8	55235000	Base, 30 & 36 in. filter	284.20	380.83
8	154926	Base ⁶	49.32	66.9
9	51031200	Cup, overdrain, lg., 26 & 30 in. filter	9.13	12.23
10	51030200	Basket, overdrain, lg. 2 in., 30 in. filter	6.92	9.27
10	51030100	Basket, overdrain, sm. 1½ in., 26 in. filter	6.77	9.07
11	50118200	MPV, 8 pos. 1½ in., 22 in. filter	CALL	CALL
11	50118300	MPV, 8 pos. 1½ in., 26 & 30 in. filter	CALL	CALL
11	50123100	MPV, 2 in., 30 in. filter	CALL	CALL
11	50118400	MPV, 8-pos. 1½ in., 30 in. filter upgrade ⁴	CALL	CALL
11	262506	Valve 1 ½" 6 way ⁶		
13	86203300	Plug, winterizing, black	3.42	4.58
14	155655	Replacement tank 18" ⁶		
14	155656	Replacement tank 20" ⁶		
14	155657	Replacement tank 22" ⁶	185.92	249.13
	85019100	Backwash sight glass, 22 & 26 in. filter	10.75	14.40
	155051	Funnel, sand filling, 22, 26 & 30 in. filter	3.59	4.81



Product on page 79.

Filter Parts - Sand

¹ Used on filters manufactured before I-95.

² Used on filters manufactured after I-95.

³ New improved laterals will fit hubs previously manufactured.

⁴ FILTER UPGRADE KIT

For Eclipse filters manufactured before I2-95.

This kit does come w/ a valve.

⁵ MULTIPORT VALVE UPGRADE KIT

For Eclipse filters manufactured before I2-95.

This kit does come w/ a valve.

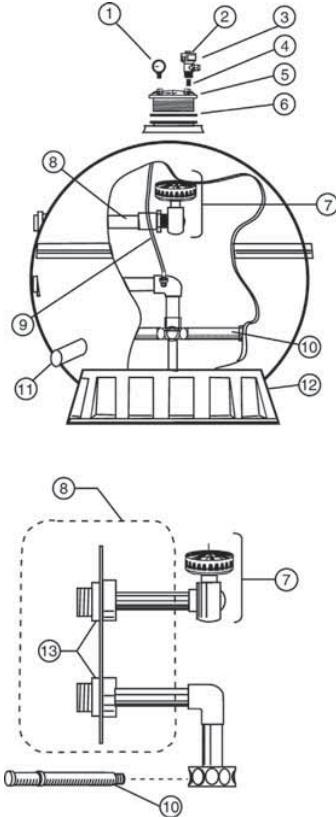
Valve must be purchased separately, see page 177.

⁶ Used on filters mfg. after I0-04.



Eclipse® Side Mount Filters

Replacement Parts for Roto-Molded Filters



Item No.	Part No.	Description	US List	Can. List
ECLIPSE SIDE MOUNT FILTERS				
1	53003201	Gauge, pressure	20.14	26.99
2	98218900	Plug for High Flow manual air relief valve (HRMARV)	3.24	4.34
3	98209800	High Flow manual air relief valve (HRMARV)	15.46	20.71
4	57006800	O-ring	0.94	1.26
5	55022000	Lid	39.43	52.83
6	52000500	O-ring	7.57	10.14
7	55008300	Basket assy., overdrain, 26 in. filter ⁴	81.56	109.29
7	150017	Diffuser assy., overdrain, 26 in. filter ⁵	26.18	35.08
7	55008900	Basket assy., overdrain, 30 in. filter ⁴	81.56	109.29
7	150018	Diffuser assy., overdrain, 30 in. filter ⁵	52.94	70.94
7	150019	Diffuser assy., overdrain, 36 in. filter ⁵	52.94	70.94
8	55120000	Internal drain pipe assy., 26 in. filter ⁴	147.43	197.55
8	150020	Internal drain pipe assy., 26 in. filter ⁵	77.35	103.65
8	55120100	Internal drain pipe assy., 30 in. filter ⁴	147.43	197.55
8	150021	Internal drain pipe assy., 30 in. filter ⁵	102.79	137.74
8	55120200	Internal drain pipe assy., 36 in. filter ⁴	147.43	197.55
8	150022	Internal drain pipe assy., 36 in. filter ⁵	89.07	119.35
9	51999100	Kit, service air tube, 3/8 in. o.d. ¹	5.06	6.79
9	55020800	Kit, service air tube, 26, 30 & 36 in. filter ⁶	14.43	19.33
9	150023	Kit, service air tube, 26, 30 & 36 in. filter ^{5,6}	16.08	21.54
9	150044	Kit, service air tube, 26, 30 & 36 in. filter ⁷	16.08	21.54
10	55025800	Lateral, underdrain, 26 in. filter, (3-7/8 in.) 8 per filter ³	4.27	5.72
10	55025900	Lateral, underdrain, 30 in. filter, (7-7/8 in.) 8 per filter ³	5.12	6.87
10	55026300	Lateral, underdrain, 36 in. filter, (10 in.) 8 per filter ³	7.04	9.43
11	55007800	Drain assy., complete	12.37	16.57
11	86300300	Fitting, drain sand / water	5.45	7.30
11	86300400	Cap, drain	2.74	3.67
11	86300500	Gasket, drain cap	2.74	3.67
12	55226100	Base, 22 & 26 in. filter	126.35	169.30
12	55235000	Base, 30 & 36 in. filter	284.20	380.83
13	53007111	Fitting, bulkhead, outer	15.61	20.91
13	51021500	Gasket, bulkhead	5.45	7.30
13	52000100	O-ring, bulkhead (1) req.	5.45	7.30
13	52000200	O-ring, bulkhead (2) req.	7.63	10.22

¹ Used on filters manufactured before 9-94.

² Used on filters manufactured after 9-94.

³ New improved laterals will fit hubs previously manufactured.

⁴ Used on filters manufactured before 11-98.

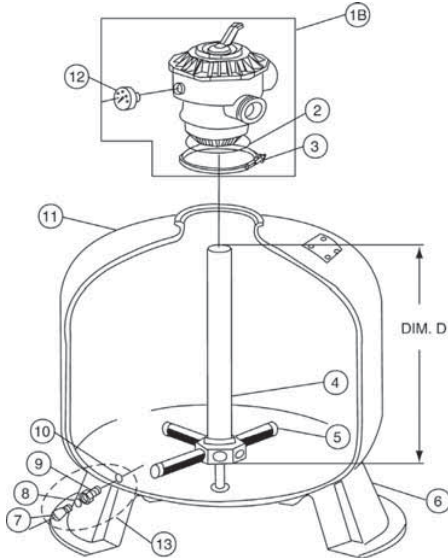
⁵ Used on filters manufactured after 11-98.

⁶ Used on filters manufactured before 11-1-99.

⁷ Used on filters manufactured after 11-1-99.

Sand Dollar® Filters

Replacement Parts for Blow Molded Filters



Item No.	Part No.	Description	US List	Can. List
SAND DOLLAR SAND FILTERS				
1B	262506	Valve 1½ in. 6-way	CALL	CALL
2	272541	O-ring valve body	4.01	5.37
3	152165	Assembly - plastic clamp 2 piece	12.34	16.53
4	155504	Piping assy. SD35 (dim D = 16 in.)	25.73	34.48
4	152229	Pipe assy. SD35 ³	CALL	CALL
4	155062	Piping assy. SD40 (dim D = 20 1/8 in.)	23.88	32.00
4	152228	Pipe assy. SD40 ³	CALL	CALL
4	155532	Piping assy. SD60 (dim D = 25 ¼ in.)	62.33	83.53
4	152227	Pipe assy. SD60 ³	CALL	CALL
4	152226	Pipe assy. SD80	53.81	72.10
5	155007	Lateral 5 11/32 in. long SD35, 8 req.	3.62	4.85
5	152290	Lateral 6 11/16 in. long SD40/SD60, 8 req.	3.77	5.05
5	150084	Lateral (SD35, SD40) ³	3.77	5.05
5	150085	Lateral XLong (SD60, SD80) ³	4.44	5.96
6	154926	Foot, SD35	49.32	66.09
6	154520	Foot, SD40 & SD60, SD80 ¹	50.85	68.14
7	154699	Plug ¼ in. NPT drain	3.47	4.66
8	192115	O-ring drain plug	4.17	5.58
9	154710	Drain - Sand - 1 in. - 5 - ACME	5.27	7.06
10	154713	Gasket, sand drain ¹	0.80	1.07
11	145339	Tank filter SD35 almond	147.14	197.17
11	145341	Tank filter SD40 almond	195.18	261.54
11	145343	Tank filter SD60 almond	270.25	362.13
11	145334	SD80 Tank	270.25	362.13
12	155050	Gauge, pressure	16.72	22.41
13	150053	Drain Plug Assembly ²	9.78	13.10
13	150055	Drain Plug Assembly 80	CALL	CALL

¹ Used on filters manufactured before 2/02.

² Includes items 7 through 10.

³ Filters mfg after 10/04

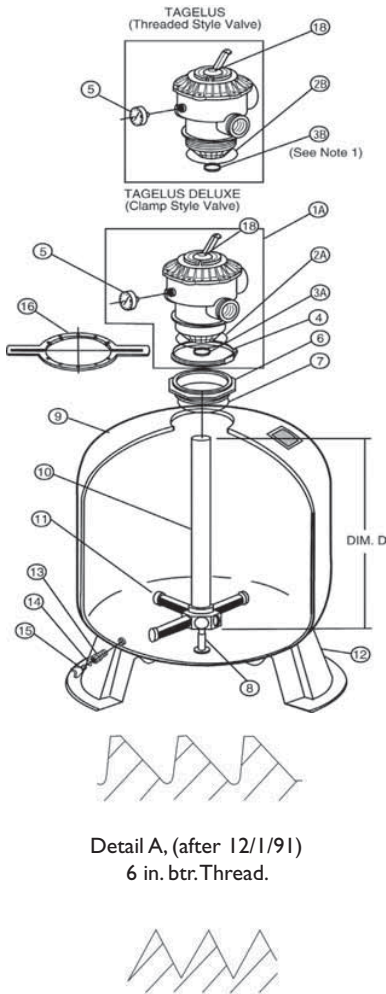
Product on page 80.



Tagelus® Filters

Replacement Parts for Fiberglass Filters

Filter Parts - Sand



Detail A, (after 12/1/91)
6 in. btr. Thread.

Detail B, (before 12/1/91)
6 in. "V" Thread.

To determine manufacture date, the first 4 digits of the serial number indicate the month and year product was manufactured.

Product on page 81.
Legend on next page.

Continued on next page.

Item No.	Part No.	Description	US List	Can. List
TAGELUS FILTERS WITH THD. & CLAMP VALVES				
1A	262506	Valve 1½ in. 6-way clamp style ¹⁴⁶⁸¹⁰	CALL	CALL
1A	261185	Valve 2 in. 6-way clamp style *	CALL	CALL
1B	261130	Valve 1½ in. 6-way btr. thread TA (note 5)	CALL	CALL
1B	261124	Valve 1½ in. 6-way "V" thread -TA (note 6)	CALL	CALL
2A	272541	O-ring valve bdy. 3/16 in. × 4¾ in. i.d. ²⁴⁶⁸¹⁰	4.01	5.37
2A	275333	O-ring valve bdy. 3/16 in. × 6½ in. i.d. *	3.45	4.62
2B	154493	O-ring valve bdy. .157 in. × 5.75 in. i.d. ¹³⁵⁷⁹	2.68	3.59
3A	355330	O-ring stndp. 1/8 in. × 2-3/8 in. i.d. * (note 1)	0.88	1.18
3B	155064	O-ring stndp. 1/8 in. × 1-7/8 in. i.d. ¹³⁵⁷⁹ (note 1)	0.62	0.83
4	152165	Clamp 6½ in. dia. ²⁴⁶⁸¹⁰ s/s, plastic	12.34	16.53
4	152130	Clamp 8.35 in. dia. *	52.32	70.11
5	155050	Gauge back mount pressure	16.72	22.41
6	154555	Adapter 6 in. btr. thd. ²⁴⁶⁸¹⁰ (notes 4 & 7)	19.55	26.20
6	155225	Adapter 6 in. "V" thread ²⁶⁸¹⁰ (notes 4 & 8)	19.17	25.69
6	154521	Adapter 8½ in. btr. thread * (note 4)	34.10	45.69
7	154494	O-ring valve adptr., .157 in. × 5.75 in. i.d. ²⁴⁶⁸¹⁰	2.12	2.84
7	355619	O-ring valve adptr., 1/8 in. × 8¼ in. i.d. *	5.45	7.30
8	155002	Stabilizer, center pipe	10.16	13.61
9	155276	Tank & ft. assy. w/ valve adptr. ⁶ (notes 2, 7 & 8)	529.00	708.86
9	155279	Tank & ft. assy. w/ valve adptr. ⁸ (notes 2, 7 & 8)	538.30	721.33
9	155269	Tank & ft. assy. w/ valve adptr. ¹⁰ (notes 2, 7 & 8)	595.37	797.79
9	155324	Tank & ft. assy. w/ valve adptr. * (notes 2, 7 & 8)	855.54	1,146.42
9	155342	Tank & ft. assy. btr. thread style ⁵ (note 5 & 6)	513.92	688.66
9	155343	Tank & ft. assy. btr. thread style ⁷ (notes 5 & 6)	522.52	700.18
9	155358	Tank & ft. assy. btr. thread style ⁹ (notes 5 & 6)	424.85	569.30
10	155060	Piping assy. ¹² (dim. D = 12-7/8 in.)	22.44	30.07
10	153455	Piping assy. ³⁴ (dim. D = 14-7/8 in.)	23.56	31.56
10	155061	Piping assy. ⁵⁶ (dim. D = 17¾ in.)	23.44	31.41
10	155062	Piping assy. ⁷⁸ (dim. D = 19-7/8 in.)	23.88	32.00
10	155063	Piping assy. ⁹¹⁰ (dim. D = 22-5/8 in.)	24.29	32.55
10	155340	Piping assy. - less hub * (dim. D = 27¼ in.)	22.67	30.38
10	155323	Piping assy. - w/hub * (dim. D = 27¼ in.)	50.88	68.18
11	155007	Lateral 5-11/32 in. long ¹²³⁴ , 8 req.	3.62	4.85
11	152290	Lateral 6-11/16 in. long ⁵⁷⁹⁶⁸¹⁰ , 8 req.	3.77	5.05
11	152202	Lateral 9-1/8 in. long *	4.71	6.31

Tagelus® Filters

Replacement Parts for Fiberglass Filters (Cont'd.)



Item No.	Part No.	Description	US List	Can. List
TAGELUS FILTERS WITH THD. & CLAMP VALVES				
12	154926	Foot tank ^{3 5 7 9 4 6 8 10}	49.32	66.09
12	154596	Foot tank * (see note 3)	74.94	100.41
13	154698	Spigot ¼ in. NPT sand drain ¹	13.16	17.64
13	154685	Spigot ½ in. NPT sand drain ²	9.60	12.86
14	192115	O-ring drain plug 1/16 in. x ½ in. i.d.	4.17	5.58
15	154699	Plug ¼ in. npt drain	3.47	4.66
16	154512	Wrench 6½ in. across flats ^{2 6 8 10}	12.99	17.40
16	151608	Wrench 9 in. across flats *	150.64	201.85
	154402	Tape ft. mounting (not shown) all except *	3.24	4.34
	154407	Tape ft. mounting (not shown) *	4.45	5.96
18	272599	Label top mount valve	0.47	0.64
	155051	Sand guide	3.59	4.81

TA 30	1	TA 30D	2
TA 35	3	TA 35D	4
TA 40	5	TA 40D	6
TA 50	7	TA 50D	8
TA 60	9	TA 60D	10
		TA 100D	*

To determine manufacture date, the first 4 digits of the serial number indicate the month and year product was manufactured.

Product on page 81.

NOTE 1: Item 3A O-ring - Standpipe is used on model TA100D Filters only. Item 3B O-ring - Standpipe is used on Tagelus Filter models TA30, 40, 50, 60, manufactured before April, 1993. Item 3B is not used on Tagelus Clamp Filter models TA30D, 35D, 40D, 50D, 60D or on any Tagelus models manufactured after April, 1993.

NOTE 2: Tagelus Clamp Filter models Tank & ft. assy. have valve adptr. (Item 6) factory installed.

NOTE 3: Replacement of Tank ft. requires the use of mounting tape. See part number listed.

NOTE 4: Lubricate O-ring liberally w/ silicone lubricant and tighten to following spec: TA30D, 35D, 40D, 50D, 60D. Handtight plus ¼ turn min. TA100 D Handtight plus ¾ turn min.

NOTE 5: Tagelus Filter models TA30, 35, 40, 50, 60 manufactured after Nov. 1, 1991 were manufactured w/ a btr. thread top opening and utilize a btr. style valve which is black in color. A change was made to the port arrangement in April, 1993 which will require that minor changes be made to the valve plumbing connections when replacing valves on filters manufactured between Nov. 1991 and Mar. 1993. **DO NOT ATTEMPT TO INTERCHANGE THREAD TYPES.**

NOTE 6: Tagelus Filter models TA30, 40, 50, 60 manufactured before Nov. 1, 1991 were manufactured w/ a "V" thread style valve that is white or brown in color. These valves may be replaced only w/ "V" thread style valve P/N 261124, see Detail B. **DO NOT ATTEMPT TO INTERCHANGE THREAD TYPES.**

NOTE 7: Tagelus Clamp Filter models TA30D, 35D, 40D, 50D, 60D manufactured after Nov. 1, 1991 were manufactured w/ a btr. thread top opening and utilize a btr. thread valve adptr. P/N 154555, see Detail A. **DO NOT ATTEMPT TO INTERCHANGE THREAD TYPES.**

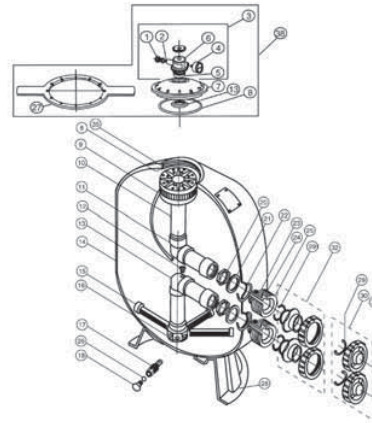
NOTE 8: Tagelus Clamp Filter models TA30D, 40D, 50D, 60D manufactured before Nov. 1, 1991 were manufactured w/ a "V" thread top opening and utilize a "V" thread valve adptr. P/N 155225, see Detail B. **DO NOT ATTEMPT TO INTERCHANGE THREAD TYPES.**



Triton® II Filters

Replacement Parts for Fiberglass Filters

Item No.	Part No.	Description	US List	Can. List
TRITON II SAND FILTERS				
1	154689	Air bleeder/tee assy.	14.40	19.29
2	154700	Adapter - brass air bleeder	5.98	8.01
3	155050	Gauge - back mount pressure	16.72	22.41
4	154661	O-ring - air bleeder adapter	0.88	1.18
5	154664	Nut - 3/8 in.-16 s/s	0.85	1.14
6	154570	Closure-6 in. btr. thread, see Detail A	41.46	55.55
6	154559	Closure-6 in. "V" thread Blk, see Detail B	27.77	37.21
7	154495	O-ring closure, white 6 in.	2.12	2.84
8	154578	Strainer air relief ¹ / ₄ in. ³	7.04	9.43
8	150035	Strainer air relief ³ / ₈ in. ⁴	4.77	6.39
9	154435	Tube air relief TR40 ³	8.30	11.13
9	150039	Tube air relief TR40 ⁴	9.75	13.06
9	154436	Tube air relief TR50/60 ³	8.30	11.13
9	150040	Tube air relief TR50/60 ⁴	9.75	13.06
9	154437	Tube air relief TR100 ³	9.04	12.11
9	150041	Tube air relief TR100 ⁴	7.66	10.26
9	154438	Tube air relief TR140 ³	11.69	15.66
9	150042	Tube air relief TR140 ⁴	7.16	9.59
10	154598	Diffuser assy. TR40/50	25.94	34.76
10	154599	Diffuser assy. TR60	25.94	34.76
10	154462	Diffuser assy. TR100	25.94	34.76
10	154906	Diffuser assy. TR140	26.71	35.79
11	154803	Piping assy. upper TR40	29.15	39.06
11	156814	Piping assy. upper TR50	23.32	31.25
11	154533	Piping assy. upper TR60	22.50	30.14
11	154426	Piping assy. upper TR100	39.01	52.28
11	154500	Piping assy. upper TR140	24.62	32.98
12	154440	Connector air relief tube ¹	6.74	9.04
12	150036	Connector air relief tube ⁴	0.80	1.07
13	154801	Piping assy. lower TR40	35.13	47.07
13	156816	Piping assy. lower TR50	27.88	37.36
13	154805	Piping assy. lower TR60	27.15	36.38
13	154807	Piping assy. lower TR/PF100	27.91	37.40
13	154489	Piping assy. lower TR140	28.77	38.55
14	154636	Tank & ft. assy. TR40-6 in. btr. thd., Detail A	504.53	676.07
14	154637	Tank & ft. assy. TR50-6 in. btr. thd., Detail A	513.10	687.55
14	154638	Tank & ft. assy. TR60-6 in. btr. thd., Detail A	577.76	774.20
14	154639	Tank & ft. assy. TR100-6 in. btr. thd., Detail A	806.84	1,081.16
14	154640	Tank & ft. assy. TR140-6 in. btr. thd., Detail A	1,186.99	1,590.57



Filters manufactured after Dec. 1, 1991 utilize a 6 in. btr. thread in the filter tank top opening and on the closure, see Detail A.

Filters manufactured before Dec. 1, 1991 utilize a 6 in. "V" type thread, see Detail B. **6 in. closures in Detail A and B are NOT interchangeable.**



Detail A, (after 12/1/91)
6 in. btr. Thread.



Detail B, (before 12/1/91)
6 in. "V" Thread.

To determine manufacture date, the first 4 digits of the serial number indicate the month and year product was manufactured.

¹ Used on Filters manufactured before 2-89.

² Used on Filters manufactured after 2-89.

³ Used on Filters manufactured before 11-1-99.

⁴ Used on Filters manufactured after 11-1-99.

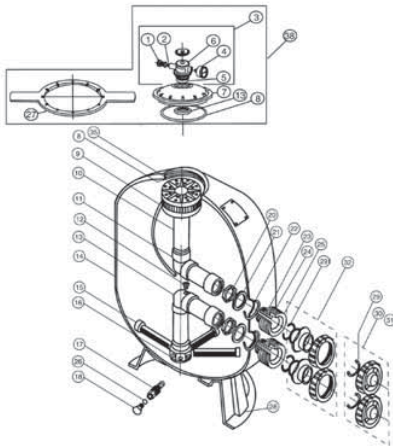
Product on page 82.

Continued on next page.



Triton® II Filters

Replacement Parts for Fiberglass, (Cont'd.)



Filters manufactured after Dec 1, 1991 utilize a 6 in. btr. thread in the filter tank top opening and on the closure, see Detail A.

Filters manufactured before Dec 1, 1991 utilize a 6 in. "V" type thread, see Detail B.

6 in. closures in Detail A and B are NOT interchangeable.



Detail A, (after 12/1/91)
6 in. btr. Thread.



Detail B, (before 12/1/91)
6 in. "V" Thread.

To determine manufacture date, the first 4 digits of the serial number indicate the month and year product was manufactured.

NOTE 1: Replacement of tank foot requires the use of foot mounting tape. See P/N's.

NOTE 2: Fitting package includes items 1,2,4,5 and 27.

⁵ Used on Filters manufactured before 5-85.

⁶ Used on Filters manufactured after 5-85.

⁷ Used on Filters manufactured before 3-83.

⁸ Used on Filters manufactured after 3-83 thru 3-96.

⁹ For Installations w/out Valve (Pair).

¹⁰ Used on all TR100 & 140 filters manufactured after 10-1-01.

Item No.	Part No.	Description	US List	Can. List
TRITON II SAND FILTERS				
14	156224	Tank & ft. assy. TR100HD btr. thd. blk. HD	454.48	609.00
15	152290	Lateral - 6 11/16 in. L TR40/50/60, 8 req.	3.77	5.05
15	152202	Lateral - 9 1/8 in. L TR100, 8 req. ⁵	4.71	6.31
15	154543	Lateral - 6 1/2 in. L TR100, 8 req. ⁵	4.71	6.31
15	154540	Lateral 12 in. L TR140, 8 req.	10.39	13.93
16	154763	Hub lateral TR40/50/60	15.87	21.27
16	154453	Hub lateral TR100/140	53.12	71.18
17	152220	Sand drain 2 in.	20.64	27.66
17	154698	Spigot 3/4 in. NPT sand drain ⁶	13.16	17.64
17	154685	Spigot 1/2 in. NPT sand drain ⁷	9.60	12.86
18	154871	Cap thd. 1 1/2 in.	4.24	5.68
18	154699	Plug 1/4 in. NPT drain ⁸	3.47	4.66
18	154481	Plug 1/4 in. drain plug black	0.82	1.10
19	154512	Wrench 6 in. closure	12.99	17.40
19	154510	Wrench closure aluminum 6 in.	97.46	130.60
20	154412	Locknut 2 in. internal, 2 req.	4.95	6.63
21	154416	Spacer 2 in. internal, 2 req.	7.18	9.63
22	154492	O-ring 2 in. bulkhead, 2 req.	1.30	1.74
23	154408	Spacer 2 in. external, 2 req.	7.18	9.63
24	154538	Gasket 2 in. bulkhead, 2 req.	1.09	1.46
25	154405	Bulkhead 2 in., 2 req.	37.07	49.67
26	154492	O-ring 3/16 in. x 2 5/8 in. i.d., use 274494	1.30	1.74
26	192115	O-ring drain plug ⁸	4.17	5.58
27	154418	Washer 3/8 in. s/s	0.62	0.83
28	154926	Foot 16 in. dia., TR40/50 ² (see Note 1)	49.32	66.09
28	154520	Foot 19 in. dia., TR60 ² (see Note 1)	50.85	68.14
28	154596	Foot 24 in. dia., TR100/140 ² (see Note 1)	74.94	100.41
29	274494	O-ring valve adptr., 2 req.	2.44	3.27
30	271092	2 in. thd. adptr. kit ⁹	32.40	43.41
31	271094	1 1/2 in. thd. adptr. kit ⁹	32.40	43.41
32	271096	1 1/2 in. & 2 in. slip adptr. kit ⁹	32.40	43.41
33	154641	Kit closure, 6 in. btr. thd., blk, Detail A	98.46	131.94
33	154697	Kit closure, 6 in. "V" thd., tan, Detail B	95.61	128.11
33	154856	Kit closure, 8 1/2 in. btr. thd., blk. ¹⁰	122.55	164.21
34	154687	Fitting package complete (see Note 2)	24.35	32.63
35	154611	Spacer air vent strainer 3 3/4 in. TR40	3.24	4.34
35	154612	Spacer air vent strainer 4 1/2 in. TR50/60	3.24	4.34
35	154613	Spacer air vent strainer 5 1/2 in. TR100	3.24	4.34
35	154614	Spacer air vent strainer 5 in. TR140	3.24	4.34
	154402	Tape ft. mounting TR40/50/60, 3 req.	3.24	4.34
	154407	Tape ft. mounting TR100/140, 3 req.	4.45	5.96
	151602	Bulkhead wrench 2 in.	143.69	192.54
	154714	Bulkhead kit include items 20-25	77.29	103.57
	151608	Aluminum Wrench 8 1/2 in.	150.64	201.85

Product on page 82.